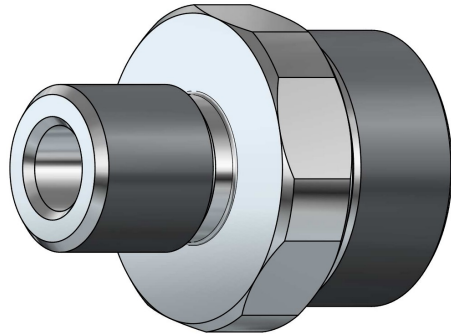
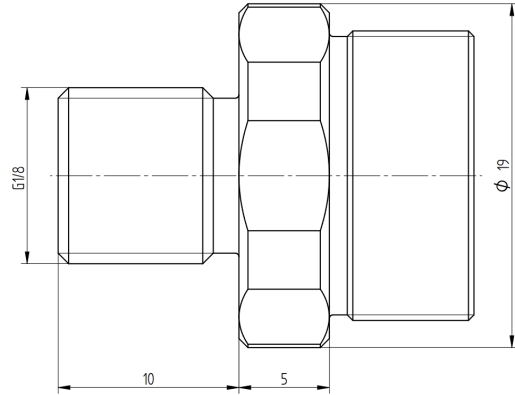


smartec

Contact: marketing@smartec-tools.com

Series 03

AM03-G125



S03 Machine Adaptor G1/8

SmarTec Line: S03

External Diameter: 19 [mm] (0.75")

Effective Length: 5 [mm] (0.2")

Internal Diameter: 3.5 [mm] (0.14")

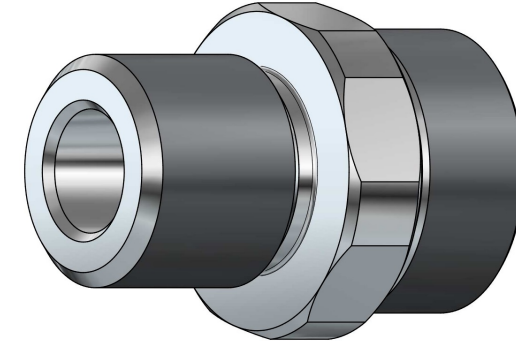
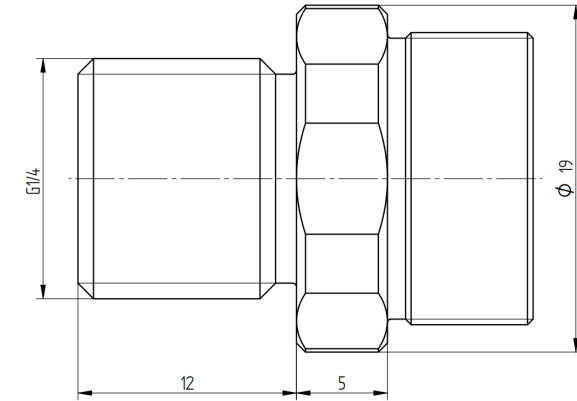
Tooling: SW 18

Thread: G1/8

Material: Austenitic Stainless Steel

Temperature Range: -30°C to 120°C (-20°F to 250°F)

AM03-G250



S03 Machine Adaptor G1/4

SmarTec Line: S03

External Diameter: 19 [mm] (0.75")

Effective Length: 5 [mm] (0.2")

Internal Diameter: 3.5 [mm] (0.14")

Tooling: SW 18

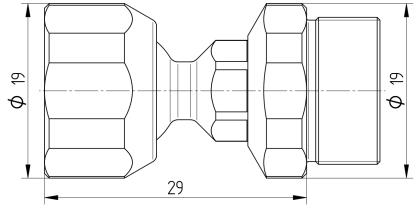
Thread: G1/4

Material: Austenitic Stainless Steel

Temperature Range: -30°C to 120°C (-20°F to 250°F)

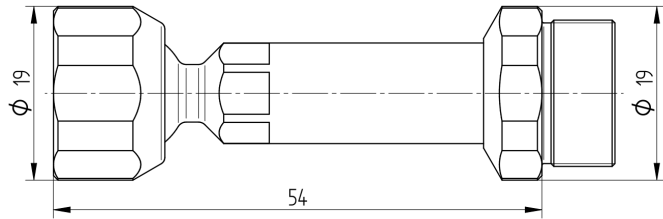
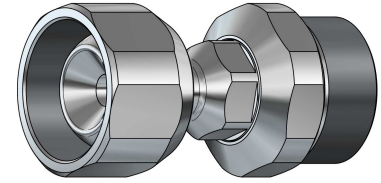
CH03A

S03 Basic Chain Unit Short



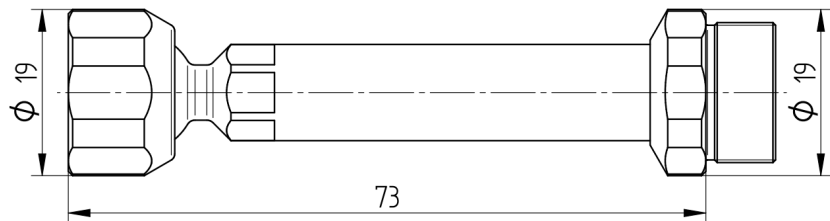
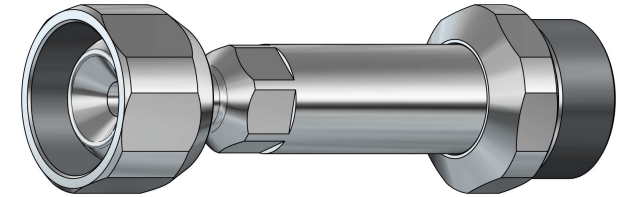
SmarTec Line: S03
External Diameter: 19 [mm] (0.75")
Effective Length: 29 [mm] (1.14")
Internal Diameter: 3.5 [mm] (0.14")
Tooling: SW 18
Material: Austenitic Stainless Steel / NBR (Buna-N)
Temperature Range: -30°C to 120°C (-20°F to 250°F)

CH03-AS



SmarTec Line: S03
External Diameter: 19 [mm] (0.75")
Effective Length: 54 [mm] (2.126")
Internal Diameter: 3.5 [mm] (0.14")
Tooling: SW 18
Material: Austenitic Stainless Steel / NBR (Buna-N)
Temperature Range: -30°C to 120°C (-20°F to 250°F)

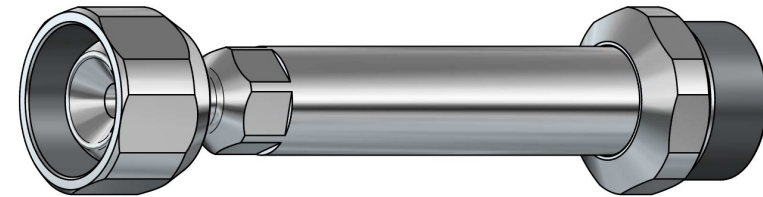
CH03-AM



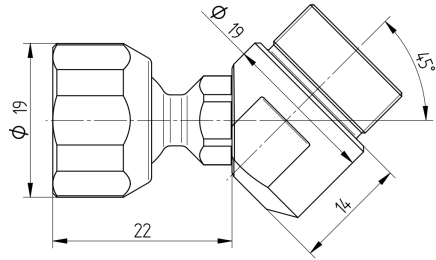
SmarTec Line: S03
External Diameter: 19 [mm] (0.75")
Effective Length: 73 [mm] (2.87")
Internal Diameter: 3.5 [mm] (0.14")
Tooling: SW 18
Material: Austenitic Stainless Steel / NBR (Buna-N)
Temperature Range: -30°C to 120°C (-20°F to 250°F)

S03 Basic Chain Unit Long

CH03-AL



CH03F



SmarTec Line: S03

S03 45° Chain Unit Short

Angle: 45°

External Diameter: 19 [mm] (0.75")

Effective Length: 22, 14 [mm] (0.87", 0.55")

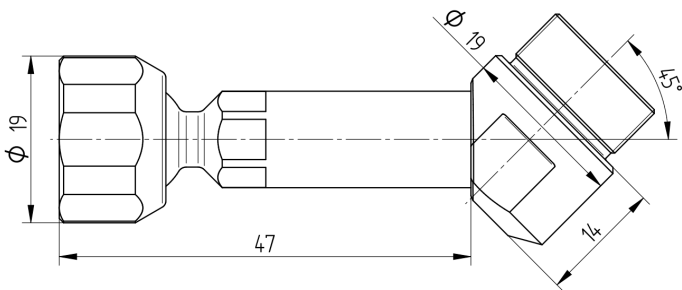
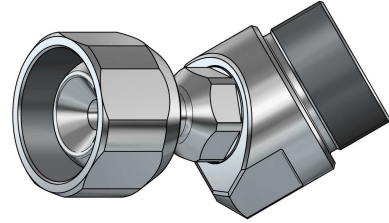
Internal Diameter: 3.5 [mm] (0.14")

Tooling: SW 18

Material: Austenitic Stainless Steel / NBR (Buna-N)

Temperature Range: -30°C to 120°C (-20°F to 250°F)

CH03-FS



SmarTec Line: S03

S03 45° Chain Unit Mean

Angle: 45°

External Diameter: 19 [mm] (0.75")

Effective Length: 47, 14 [mm] (1.85", 0.55")

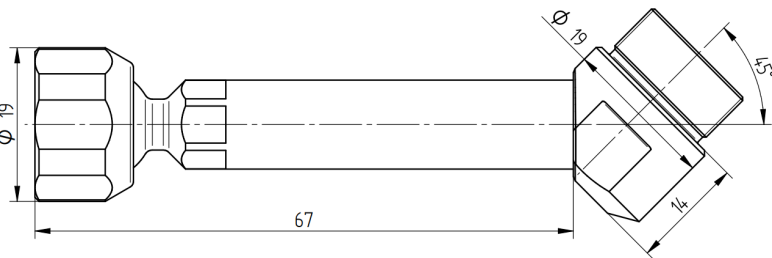
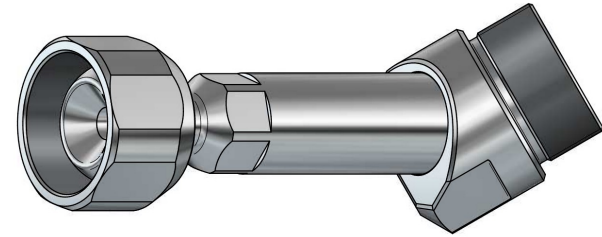
Internal Diameter: 3.5 [mm] (0.14")

Tooling: SW 18

Material: Austenitic Stainless Steel / NBR (Buna-N)

Temperature Range: -30°C to 120°C (-20°F to 250°F)

CH03-FM



SmarTec Line: S03

S03 45° Chain Unit Long

Angle: 45°

External Diameter: 19 [mm] (0.75")

Effective Length: 67, 14 [mm] (2.64", 0.55")

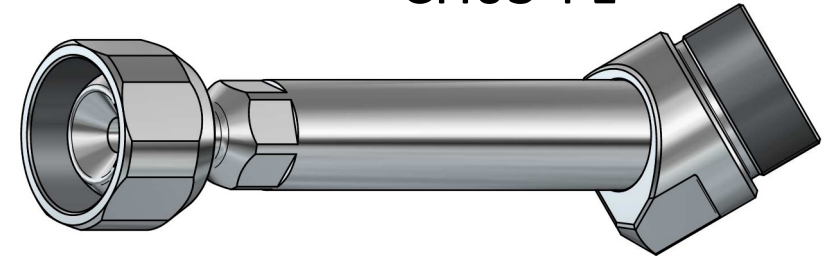
Internal Diameter: 3.5 [mm]

Tooling: SW 18

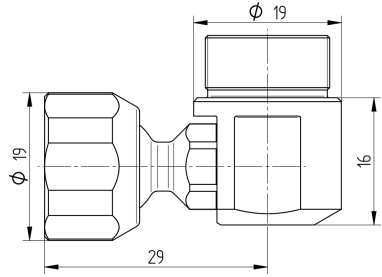
Material: Austenitic Stainless Steel / NBR (Buna-N)

Temperature Range: -30°C to 120°C (-20°F to 250°F)

CH03-FL



CH03P



S03 90° Chain Unit Short

SmarTec Line: S03

Angle: 90°

External Diameter: 19 [mm] (0.75")

Effective Length: 29, 16 [mm] (1.14", 0.63")

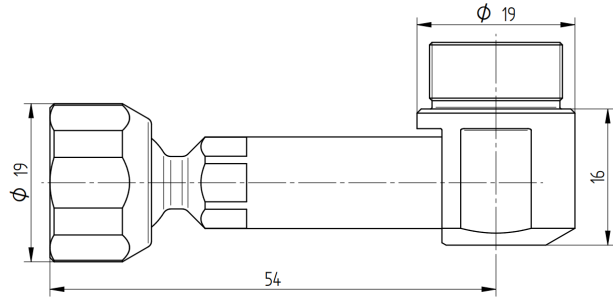
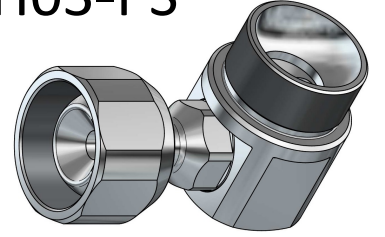
Internal Diameter: 3.5 [mm] (0.14")

Tooling: SW 18

Material: Austenitic Stainless Steel / NBR (Buna-N)

Temperature Range: -30°C to 120°C (-20°F to 250°F)

CH03-PS



S03 90° Chain Unit Mean

SmarTec Line: S03

Angle: 90°

External Diameter: 19 [mm] (0.75")

Effective Length: 54, 16 [mm] (2.125", 0.63")

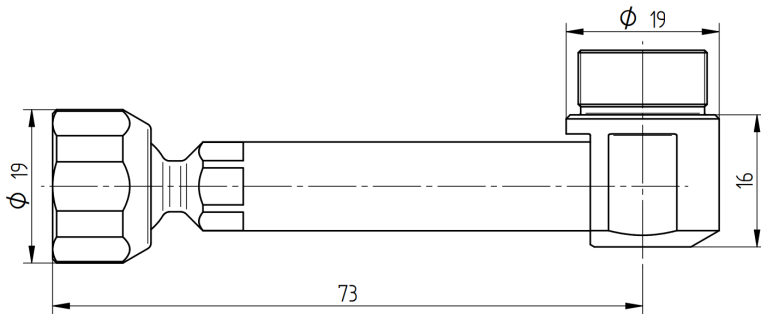
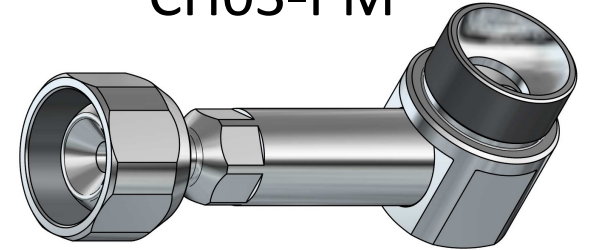
Internal Diameter: 3.5 [mm] (0.14")

Tooling: SW 18

Material: Austenitic Stainless Steel / NBR (Buna-N)

Temperature Range: -30°C to 120°C (-20°F to 250°F)

CH03-PM



S03 90° Chain Unit Long

SmarTec Line: S03

Angle: 90°

External Diameter: 19 [mm] (0.75")

Effective Length: 73, 16 [mm] (2.87", 0.63")

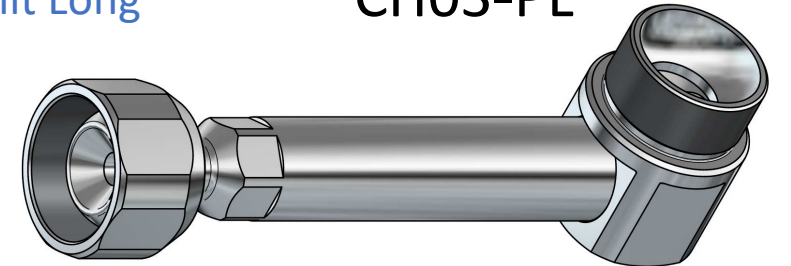
Internal Diameter: 3.5 [mm] (0.14")

Tooling: SW 18

Material: Austenitic Stainless Steel / NBR (Buna-N)

Temperature Range: -30°C to 120°C (-20°F to 250°F)

CH03-PL

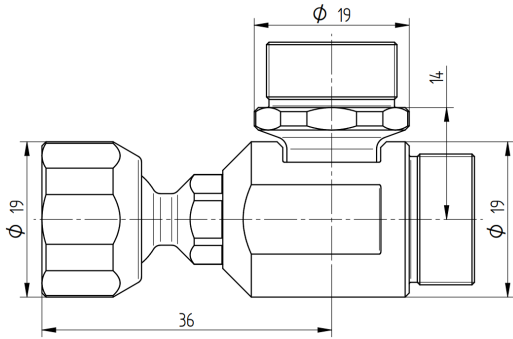
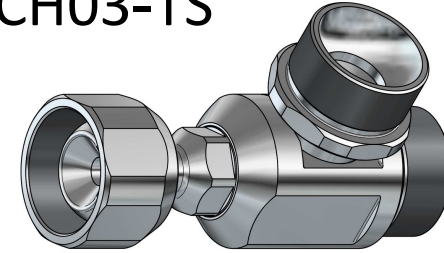


CH03T

S03 T Chain Unit Short

SmarTec Line: S03
Angle: 90° + 90°
External Diameter: 19 [mm] (0.75")
Effective Length: 36, 14 [mm] (1.4", 0.55")
Internal Diameter: 3.5 [mm] (0.14")
Tooling: SW 18
Material: Austenitic Stainless Steel / NBR (Buna-N)
Temperature Range: -30°C to 120°C (-20°F to 250°F)

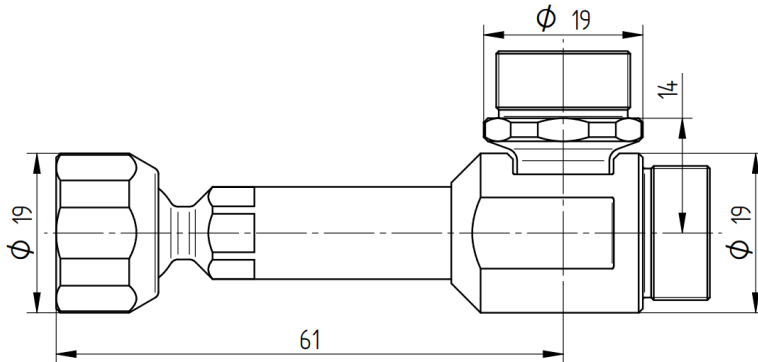
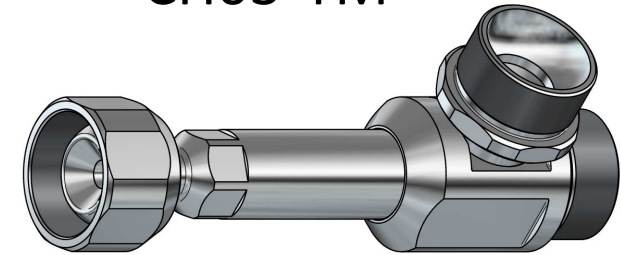
CH03-TS



S03 T Chain Unit Mean

SmarTec Line: S03
Angle: 90° + 90°
External Diameter: 19 [mm] (0.75")
Effective Length: 61, 14 [mm] (2.4", 0.55")
Internal Diameter: 3.5 [mm] (0.14")
Tooling: SW 18
Material: Austenitic Stainless Steel / NBR (Buna-N)
Temperature Range: -30°C to 120°C (-20°F to 250°F)

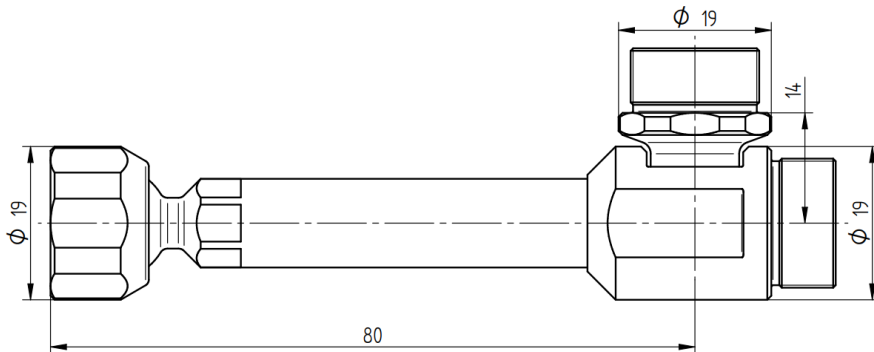
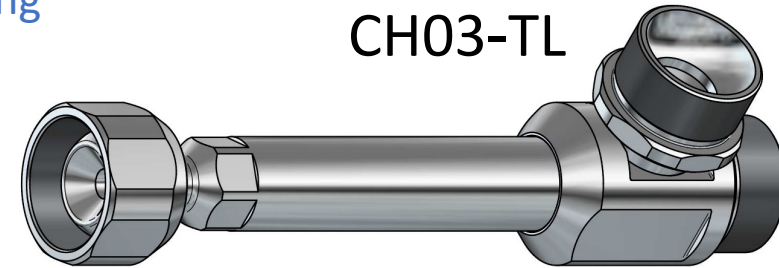
CH03-TM



S03 T Chain Unit Long

SmarTec Line: S03
Angle: 90° + 90°
External Diameter: 19 [mm] (0.75")
Effective Length: 80, 14 [mm] (3.15", 0.55")
Internal Diameter: 3.5 [mm] (0.14")
Tooling: SW 18
Material: Austenitic Stainless Steel / NBR (Buna-N)
Temperature Range: -30°C to 120°C (-20°F to 250°F)

CH03-TL

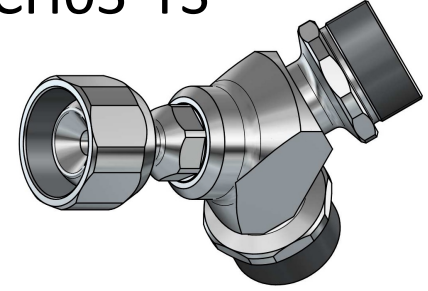


CH03Y

S03 Y Chain Unit Short

SmarTec Line: S03
Angle: 45° + 45°
External Diameter: 19 [mm] (0.75")
Effective Length: 31, 19, 19 [mm] (1.22", 0.75", 0.75")
Internal Diameter: 3.5 [mm] (0.14")
Tooling: SW 18
Material: Austenitic Stainless Steel / NBR (Buna-N)
Temperature Range: -30°C to 120°C (-20°F to 250°F)

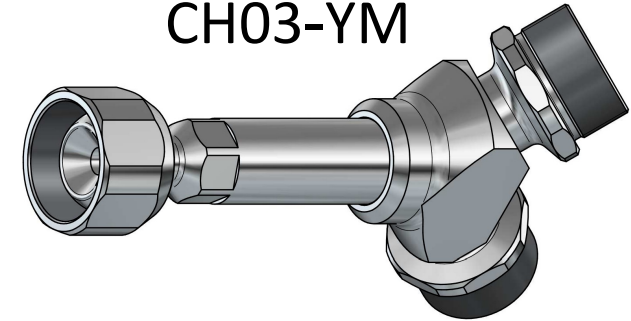
CH03-YS



S03 Y Chain Unit Mean

SmarTec Line: S03
Angle: 45° + 45°
External Diameter: 19 [mm] (0.75")
Effective Length: 56, 19, 19 [mm] (2.2", 0.75", 0.75")
Internal Diameter: 3.5 [mm] (0.14")
Tooling: SW 18
Material: Austenitic Stainless Steel / NBR (Buna-N)
Temperature Range: -30°C to 120°C (-20°F to 250°F)

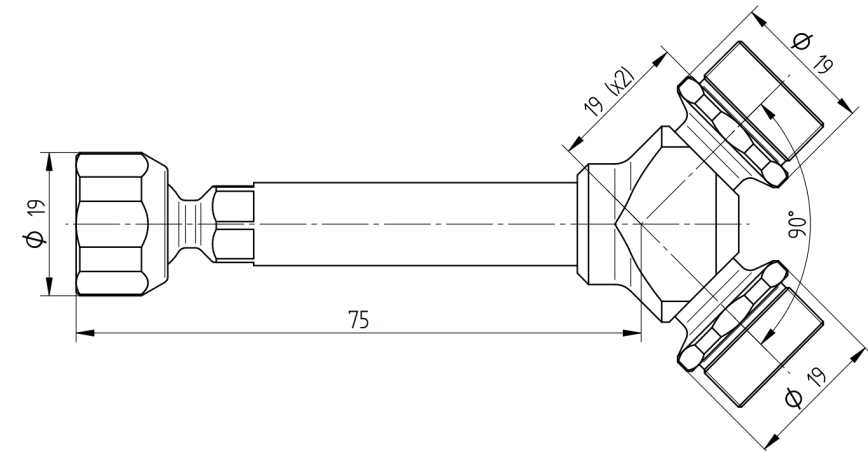
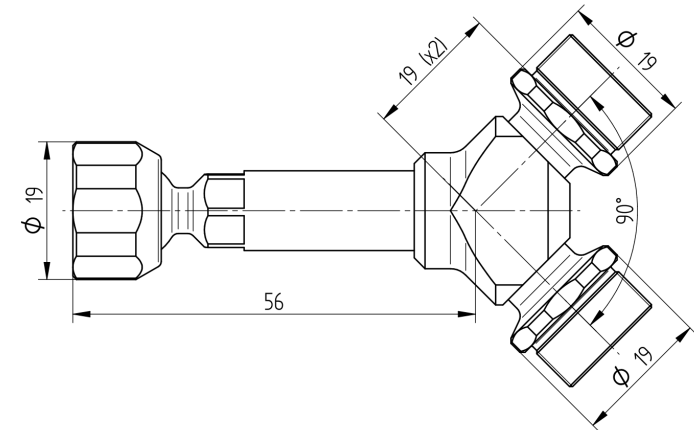
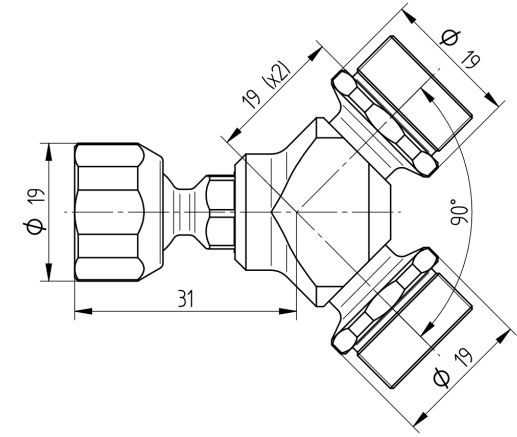
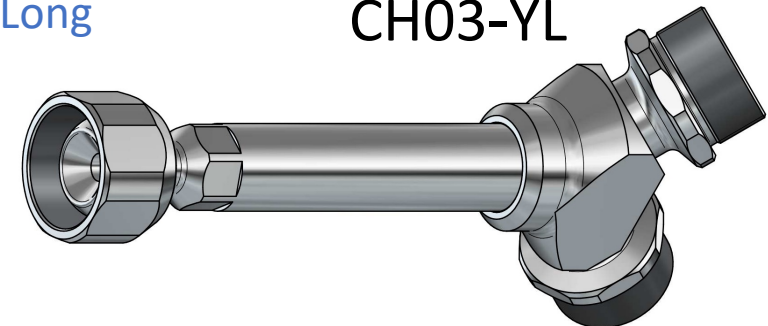
CH03-YM



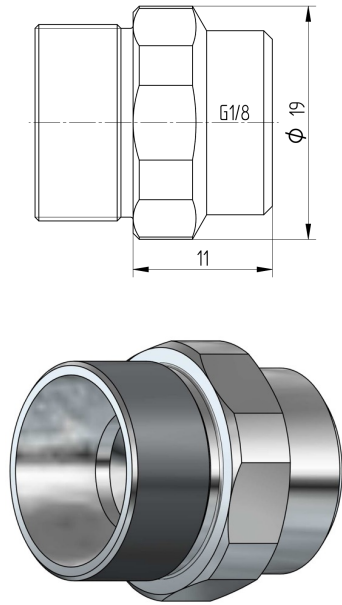
S03 Y Chain Unit Long

SmarTec Line: S03
Angle: 45° + 45°
External Diameter: 19 [mm] (0.75")
Effective Length: 75, 19, 19 [mm] (2.95", 0.75", 0.75")
Internal Diameter: 3.5 [mm] (0.14")
Tooling: SW 18
Material: Austenitic Stainless Steel / NBR (Buna-N)
Temperature Range: -30°C to 120°C (-20°F to 250°F)

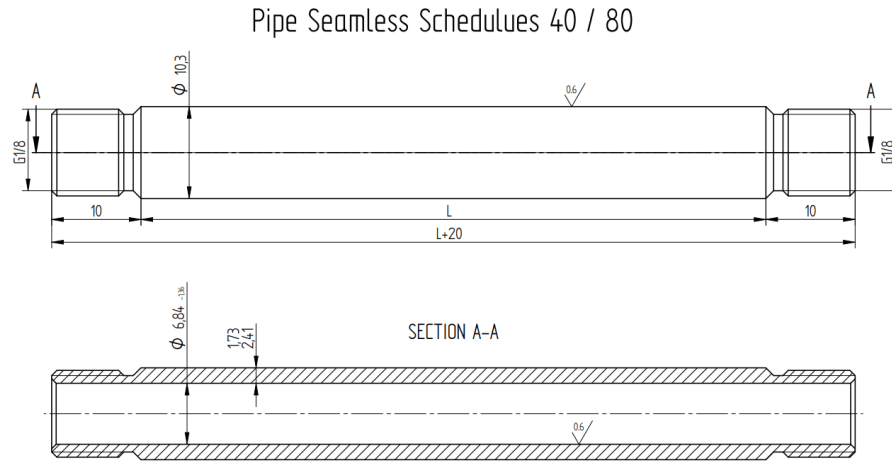
CH03-YL



CH03-EF

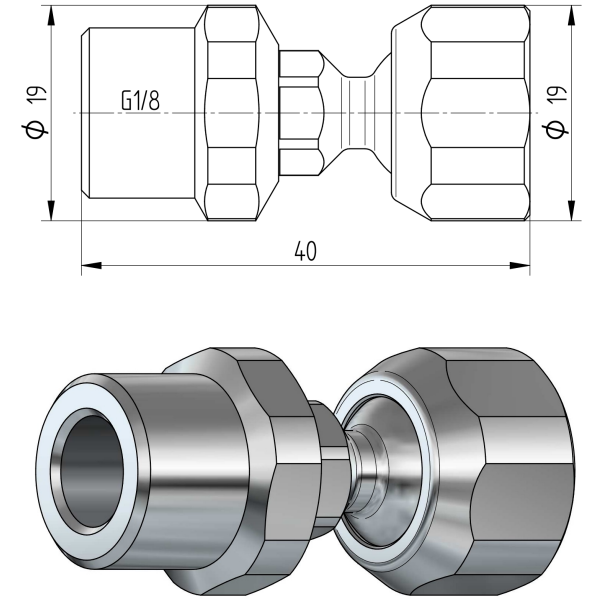


CH03E



Pipe Size - 1/8
Pipe for CH03E

CH03-ER



S03 Extension Chain Unit Front Adaptor

SmarTec Line: S03
 External Diameter: 19 [mm] (0.75")
 Effective Length: 11 [mm] (0.43")
 Internal Diameter: 3.5 [mm] (0.14")
 Thread: G 1/8
 Tooling: SW 18
 Material: Austenitic Stainless Steel
 Temperature Range: -30°C to 120°C (-20°F to 250°F)

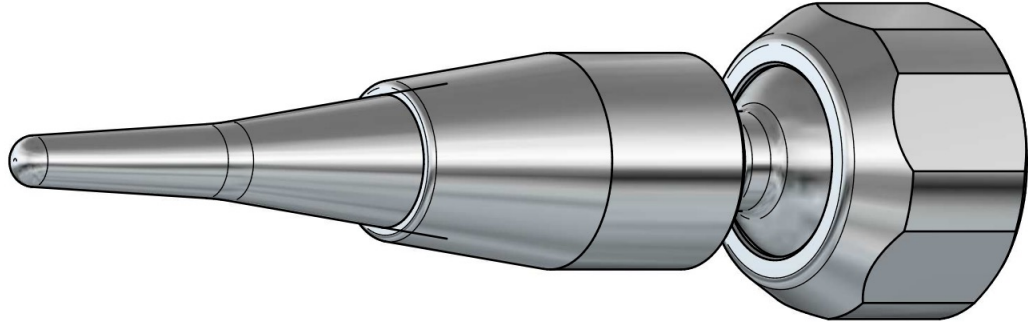
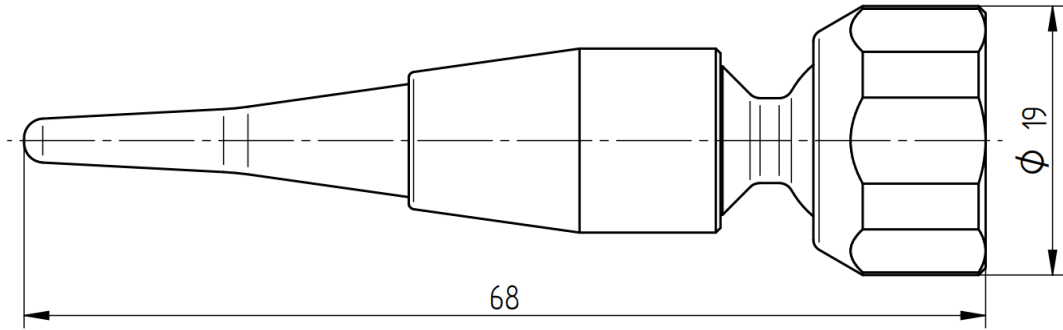
S03 Pipe Extension Chain Unit



S03 Extension Chain Unit Rear Adaptor

SmarTec Line: S03
 External Diameter: 19 [mm] (0.75")
 Effective Length: 40 [mm] (1.57")
 Internal Diameter: 3.5 [mm] (0.14")
 Thread: G 1/8
 Tooling: SW 18
 Material: Austenitic Stainless Steel / NBR (Buna-N)
 Temperature Range: -30°C to 120°C (-20°F to 250°F)

JS03



S03 Adjustable Jet

SmarTec Line: S03

External Diameter: 19 [mm] (0.75")

Effective Length: 68 [mm] (2.68")

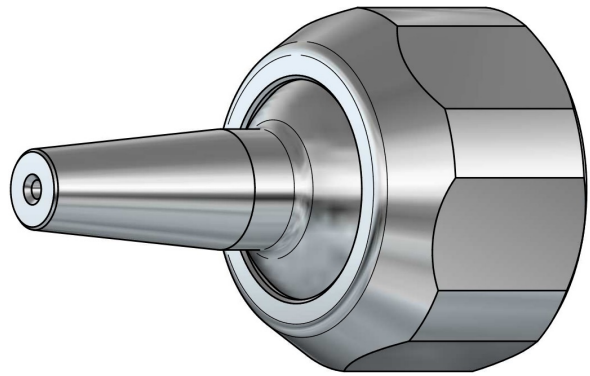
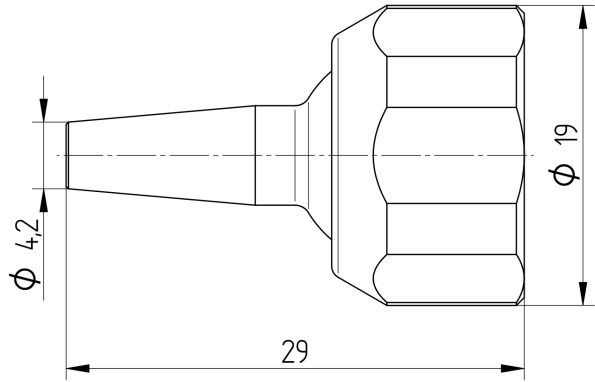
Internal Diameter: 3.5 [mm] (0.14")

Tooling: SW 18

Material: Austenitic Stainless Steel / NBR (Buna-N)

Temperature Range: -30°C to 120°C (-20°F to 250°F)

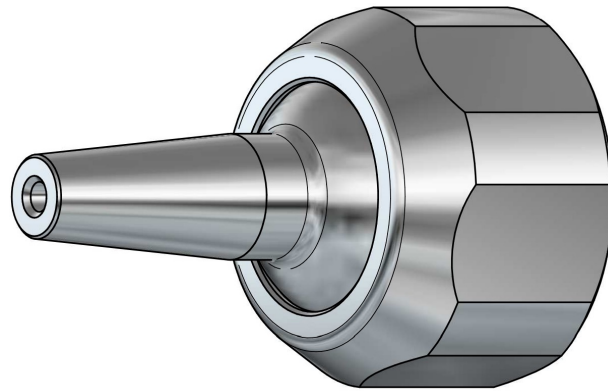
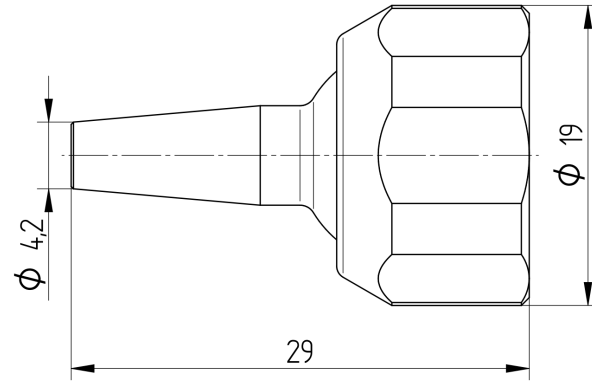
JH03-D10



S03 Basic Chain Jet 1 mm

SmarTec Line: S03
 External Diameter: 19 [mm] (0.75")
 Effective Length: 29 [mm] (1.14")
 Internal Diameter: 1 [mm] (0.04")
 Tooling: SW 18
 Material: Austenitic Stainless Steel / NBR (Buna-N)
 Temperature Range: -30°C to 120°C (-20°F to 250°F)

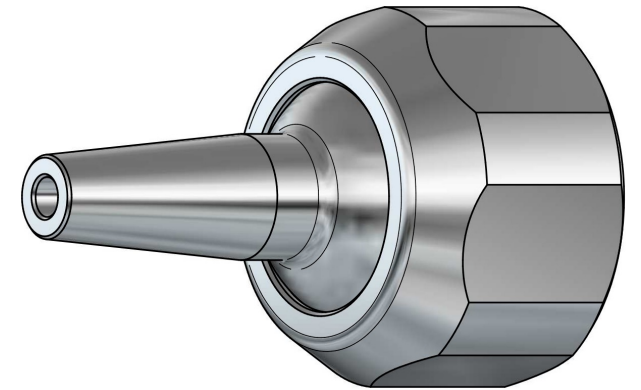
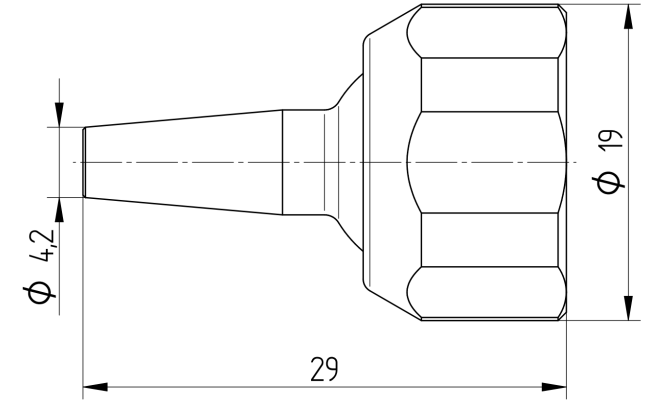
JH03-D15



S03 Basic Chain Jet 1.5 mm

SmarTec Line: S03
 External Diameter: 19 [mm] (0.75")
 Effective Length: 29 [mm] (1.14")
 Internal Diameter: 1.5 [mm] (0.06")
 Tooling: SW 18
 Material: Austenitic Stainless Steel / NBR (Buna-N)
 Temperature Range: -30°C to 120°C (-20°F to 250°F)

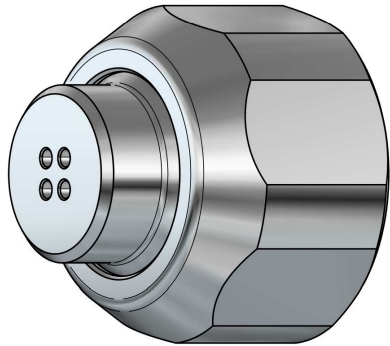
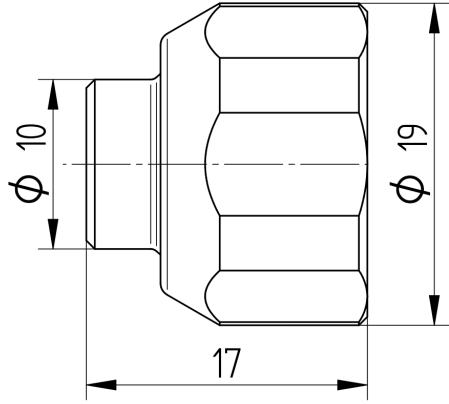
JH03-D20



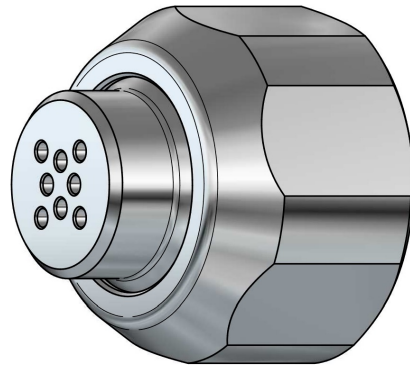
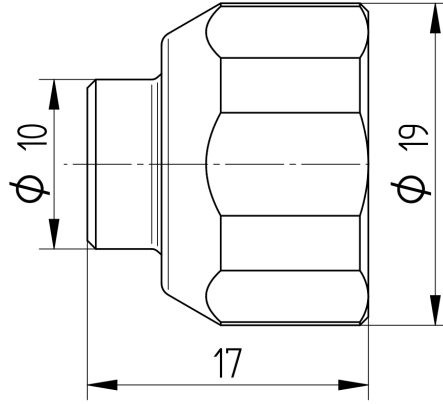
S03 Basic Chain Jet 2 mm

SmarTec Line: S03
 External Diameter: 19 [mm] (0.75")
 Effective Length: 29 [mm] (1.14")
 Internal Diameter: 2 [mm] (0.08")
 Tooling: SW 18
 Material: Austenitic Stainless Steel / NBR (Buna-N)
 Temperature Range: -30°C to 120°C (-20°F to 250°F)

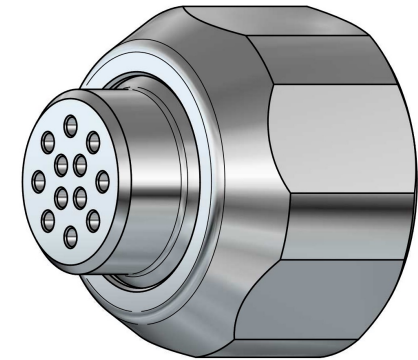
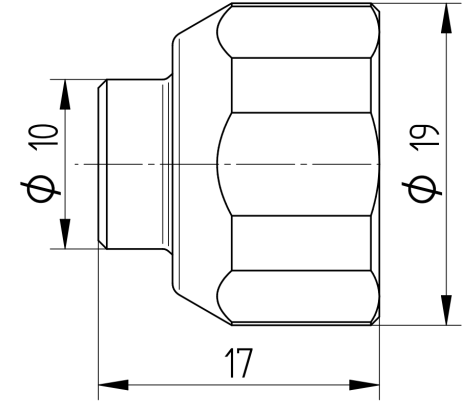
JM03-A04



JM03-A08



JM03-A12



S03 Basic Chain Jet 4

SmarTec Line: S03
 External Diameter: 19 [mm] (0.75")
 Effective Length: 17 [mm] (0.67")
 Internal Diameter: 1 [mm] (0.04")
 Number of Jets: 4
 Tooling: SW 18
 Material: Austenitic Stainless Steel / NBR (Buna-N)
 Temperature Range: -30°C to 120°C (-20°F to 250°F)

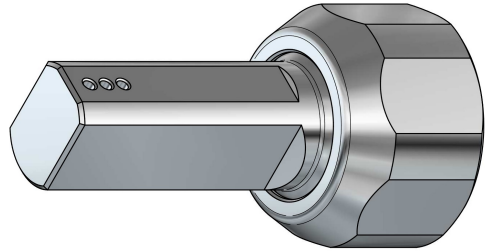
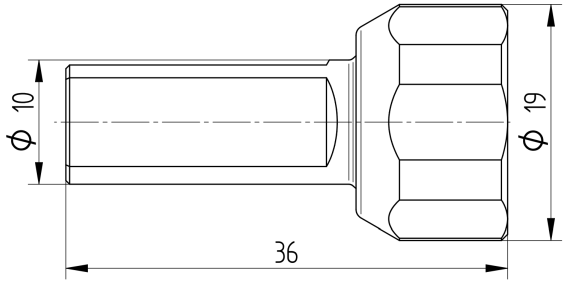
S03 Basic Chain Jet 8

SmarTec Line: S03
 External Diameter: 19 [mm] (0.75")
 Effective Length: 17 [mm] (0.67")
 Internal Diameter: 1 [mm] (0.04")
 Number of Jets: 8
 Tooling: SW 18
 Material: Austenitic Stainless Steel / NBR (Buna-N)
 Temperature Range: -30°C to 120°C (-20°F to 250°F)

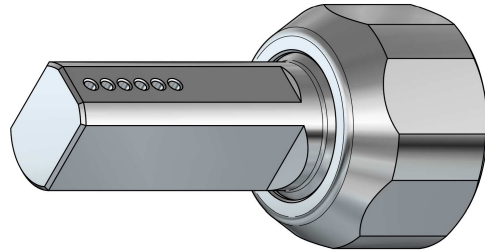
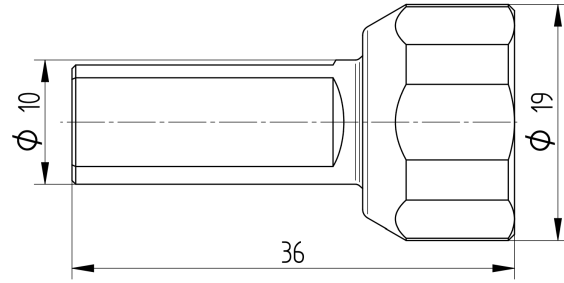
S03 Basic Chain Jet 12

SmarTec Line: S03
 External Diameter: 19 [mm] (0.75")
 Effective Length: 17 [mm] (0.67")
 Internal Diameter: 1 [mm] (0.04")
 Number of Jets: 12
 Tooling: SW 18
 Material: Austenitic Stainless Steel / NBR (Buna-N)
 Temperature Range: -30°C to 120°C (-20°F to 250°F)

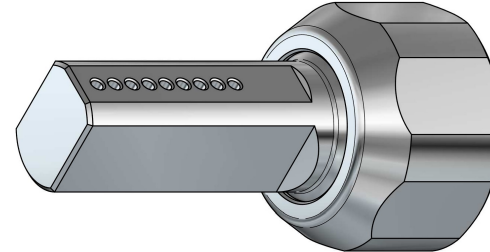
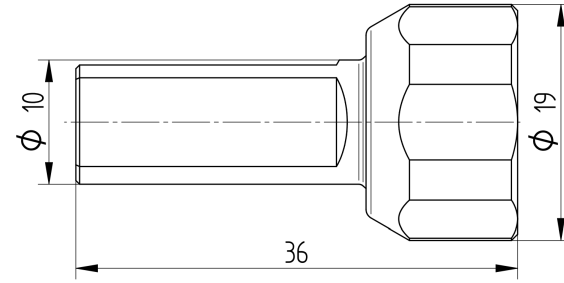
JM03-P03



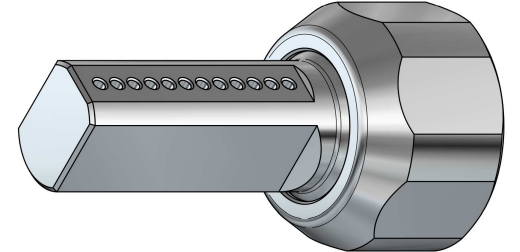
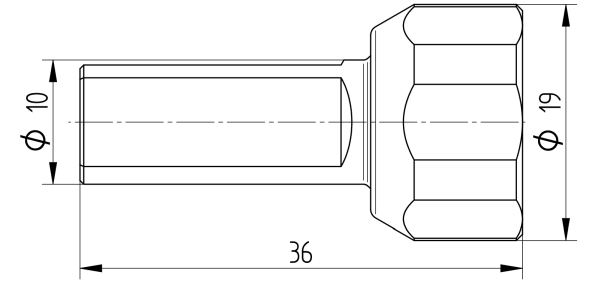
JM03-P06



JM03-P09



JM03-P12



S03 90° Chain Jet 3

SmarTec Line: S03
 Angle: 90°
 External Diameter: 19 [mm] (0.75")
 Effective Length: 36 [mm] (1.42")
 Internal Diameter: 1 [mm] (0.04")
 Number of Jets: 3
 Tooling: SW 18
 Material: Austenitic Stainless Steel / NBR (Buna-N)
 Temperature Range: -30°C to 120°C (-20°F to 250°F)

S03 90° Chain Jet 6

SmarTec Line: S03
 Angle: 90°
 External Diameter: 19 [mm] (0.75")
 Effective Length: 36 [mm] (1.42")
 Internal Diameter: 1 [mm] (0.04")
 Number of Jets: 6
 Tooling: SW 18
 Material: Austenitic Stainless Steel / NBR (Buna-N)
 Temperature Range: -30°C to 120°C (-20°F to 250°F)

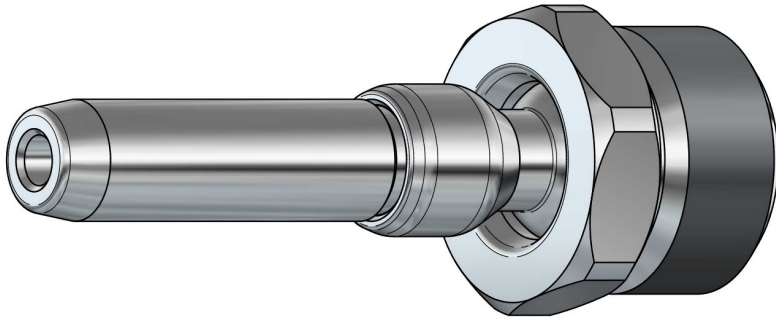
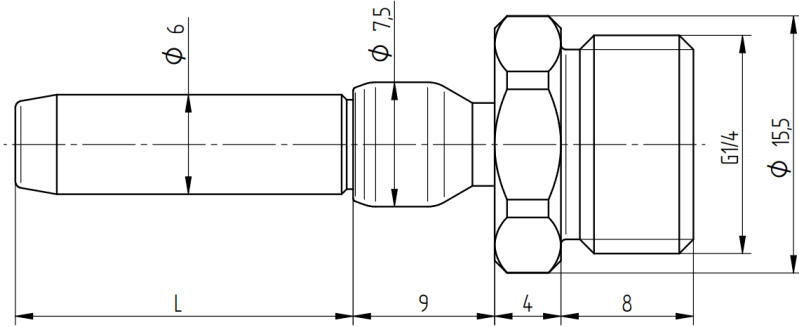
S03 90° Chain Jet 9

SmarTec Line: S03
 Angle: 90°
 External Diameter: 19 [mm] (0.75")
 Effective Length: 36 [mm] (1.42")
 Internal Diameter: 1 [mm] (0.04")
 Number of Jets: 9
 Tooling: SW 18
 Material: Austenitic Stainless Steel / NBR (Buna-N)
 Temperature Range: -30°C to 120°C (-20°F to 250°F)

S03 90° Chain Jet 12

SmarTec Line: S03
 Angle: 90°
 External Diameter: 19 [mm] (0.75")
 Effective Length: 36 [mm] (1.42")
 Internal Diameter: 1 [mm] (0.04")
 Number of Jets: 12
 Tooling: SW 18
 Material: Austenitic Stainless Steel / NBR (Buna-N)
 Temperature Range: -30°C to 120°C (-20°F to 250°F)

JB03 SML

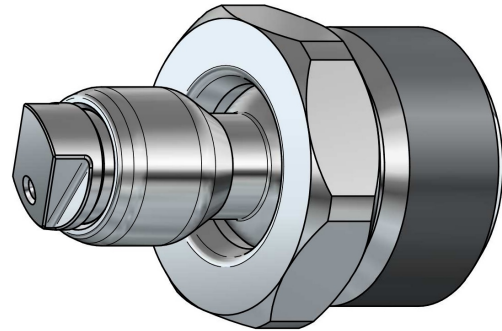
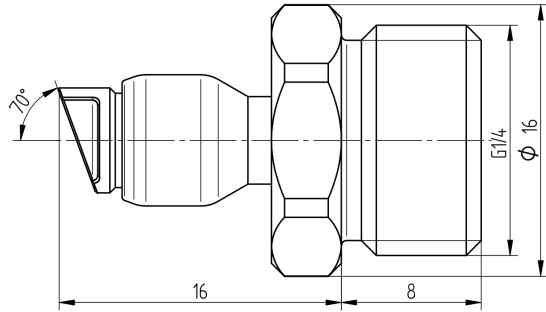


Cat No.	L	D
JB03-S20	10	2.0
JB03-S25	10	2.5
JB03-S30	10	3.0
JB03-M20	20	2.0
JB03-M25	20	2.5
JB03-M30	20	3.0
JB03-L20	40	2.0
JB03-L25	40	2.5
JB03-L30	40	3.0

S03 Modular Basic Block Jet

SmarTec Line: S03
 External Diameter: 15.5 [mm] (0.61")
 Effective Length: 23, 33, 53 [mm] (0.9", 1.3", 2.1")
 Internal Diameter: 2, 2.5, 3 [mm] (0.08", 0.1", 0.12")
 Tooling: SW 14
 Thread: G1/4
 Material: Austenitic Stainless Steel / NBR (Buna-N)
 Temperature Range: -30°C to 120°C (-20°F to 250°F)

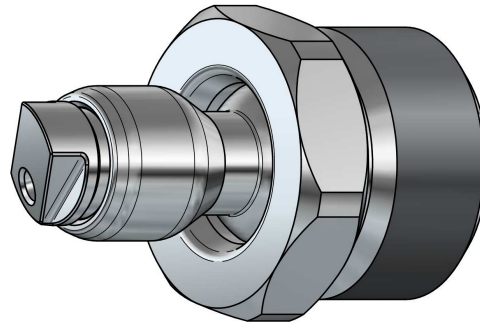
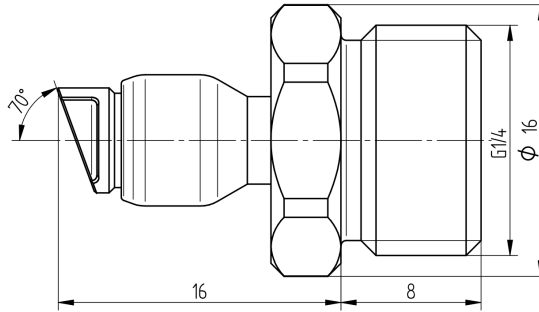
JB03-V10



S03 Block Jet 0° to 40° 1 mm

SmarTec Line: S03
External Diameter: 16 [mm] (0.63")
Effective Length: 16 [mm] (0.63")
Internal Diameter: 1 [mm] (0.04")
Max Horizontal Angle: 40°
Min Horizontal Angle: 0°
Tooling: SW 14
Thread: G1/4
Material: Austenitic Stainless Steel / NBR (Buna-N)
Temperature Range: -30°C to 120°C (-20°F to 250°F)

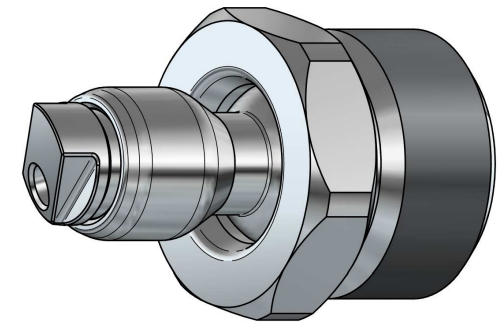
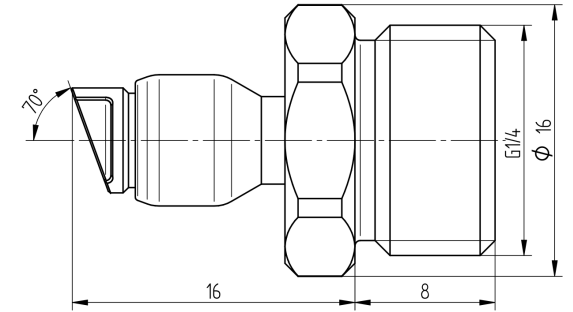
JB03-V15



S03 Block Jet 0° to 40° 1.5 mm

SmarTec Line: S03
External Diameter: 16 [mm] (0.63")
Effective Length: 16 [mm] (0.63")
Internal Diameter: 1.5 [mm] (0.06")
Max Horizontal Angle: 40°
Min Horizontal Angle: 0°
Tooling: SW 14
Thread: G1/4
Material: Austenitic Stainless Steel / NBR (Buna-N)
Temperature Range: -30°C to 120°C (-20°F to 250°F)

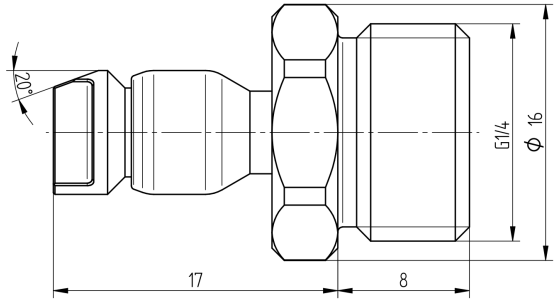
JB03-V20



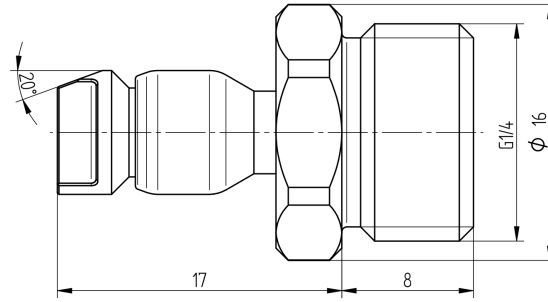
S03 Block Jet 0° to 40° 2 mm

SmarTec Line: S03
External Diameter: 16 [mm] (0.63")
Effective Length: 16 [mm] (0.63")
Internal Diameter: 2 [mm] (0.08")
Max Horizontal Angle: 40°
Min Horizontal Angle: 0°
Tooling: SW 14
Thread: G1/4
Material: Austenitic Stainless Steel / NBR (Buna-N)
Temperature Range: -30°C to 120°C (-20°F to 250°F)

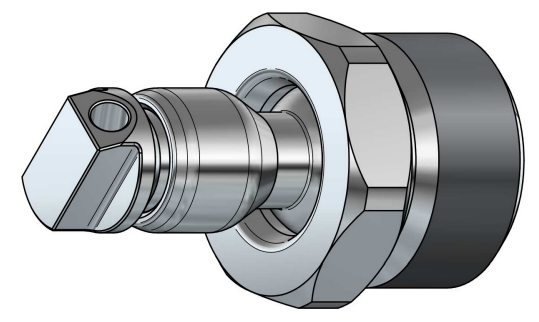
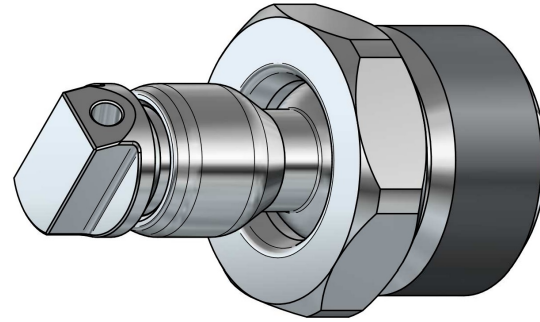
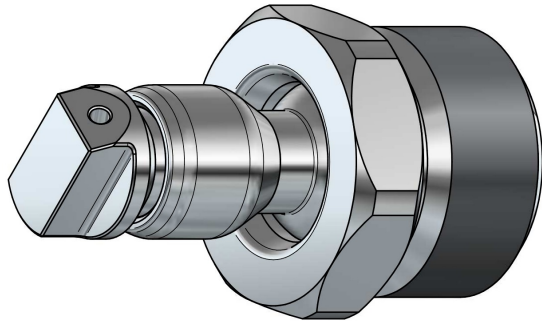
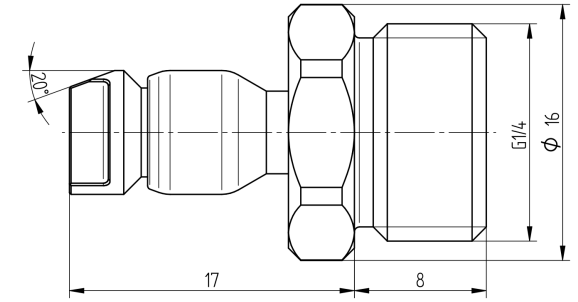
JB03-W10



JB03-W15



JB03-W20



S03 50° to 90° Block Jet 1 mm

SmarTec Line: S03
External Diameter: 16 [mm] (0.63")
Effective Length: 16 [mm] (0.63")
Internal Diameter: 1 [mm] (0.04")
Max Horizontal Angle: 90°
Min Horizontal Angle: 50°
Tooling: SW 14
Thread: G1/4
Material: Austenitic Stainless Steel / NBR (Buna-N)
Temperature Range: -30°C to 120°C (-20°F to 250°F)

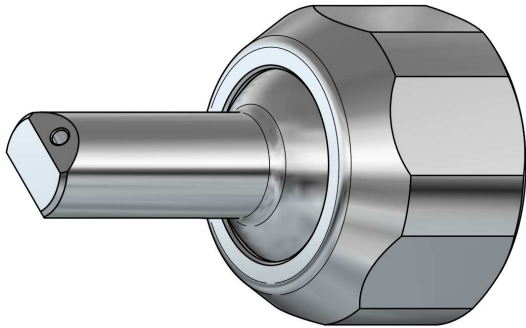
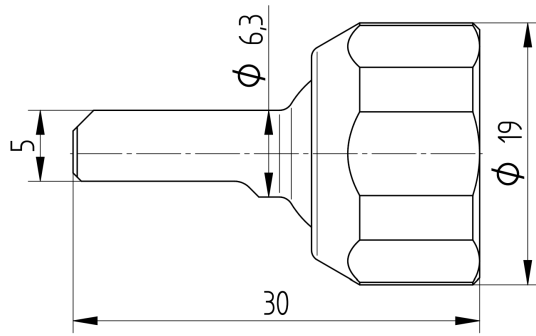
S03 50° to 90° Block Jet 1.5 mm

SmarTec Line: S03
External Diameter: 16 [mm] (0.63")
Effective Length: 16 [mm] (0.63")
Internal Diameter: 1.5 [mm] (0.06")
Max Horizontal Angle: 90°
Min Horizontal Angle: 50°
Tooling: SW 14
Thread: G1/4
Material: Austenitic Stainless Steel / NBR (Buna-N)
Temperature Range: -30°C to 120°C (-20°F to 250°F)

S03 50° to 90° Block Jet 2 mm

SmarTec Line: S03
External Diameter: 16 [mm] (0.63")
Effective Length: 16 [mm] (0.63")
Internal Diameter: 2 [mm] (0.08")
Max Horizontal Angle: 90°
Min Horizontal Angle: 50°
Tooling: SW 14
Thread: G1/4
Material: Austenitic Stainless Steel / NBR (Buna-N)
Temperature Range: -30°C to 120°C (-20°F to 250°F)

JF03-D10



S03 45° Chain Jet 1 mm

SmarTec Line: S03

Angle: 45°

External Diameter: 19 [mm] (0.75")

Effective Length: 30 [mm] (1.2")

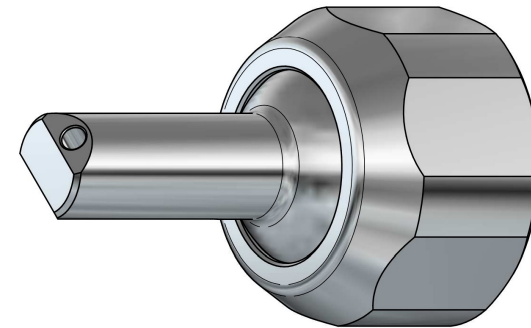
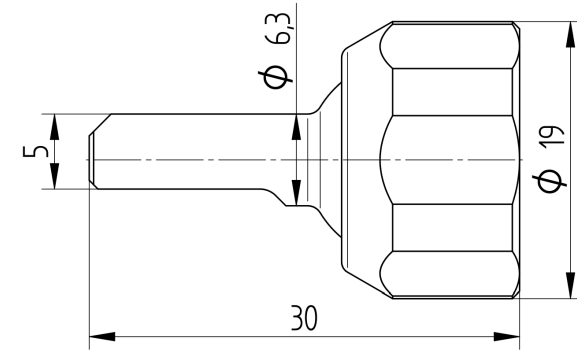
Internal Diameter: 1 [mm] (0.04")

Tooling: SW 18

Material: Austenitic Stainless Steel / NBR (Buna-N)

Temperature Range: -30°C to 120°C (-20°F to 250°F)

JF03-D15



S03 45° Chain Jet 1.5 mm

SmarTec Line: S03

Angle: 45°

External Diameter: 19 [mm] (0.75")

Effective Length: 30 [mm] (1.2")

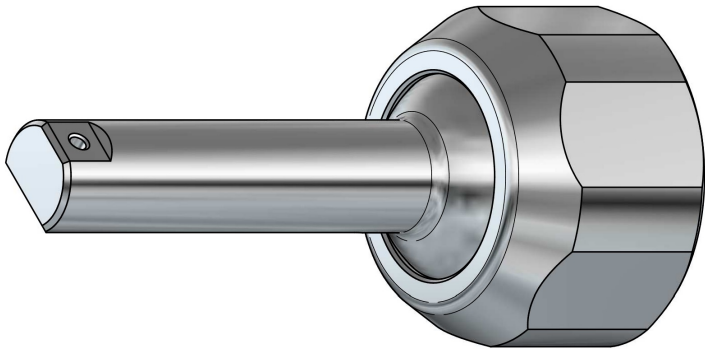
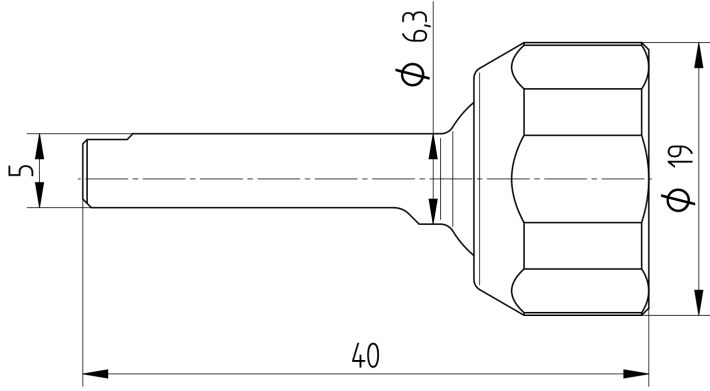
Internal Diameter: 1.5 [mm] (0.06")

Tooling: SW 18

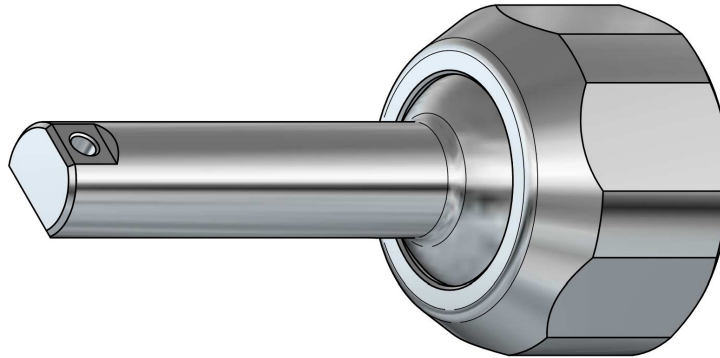
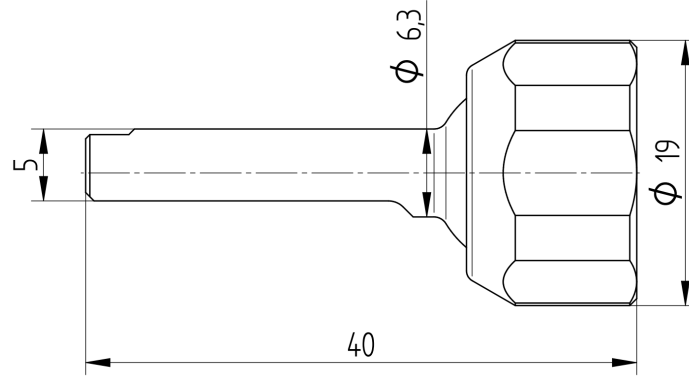
Material: Austenitic Stainless Steel / NBR (Buna-N)

Temperature Range: -30°C to 120°C (-20°F to 250°F)

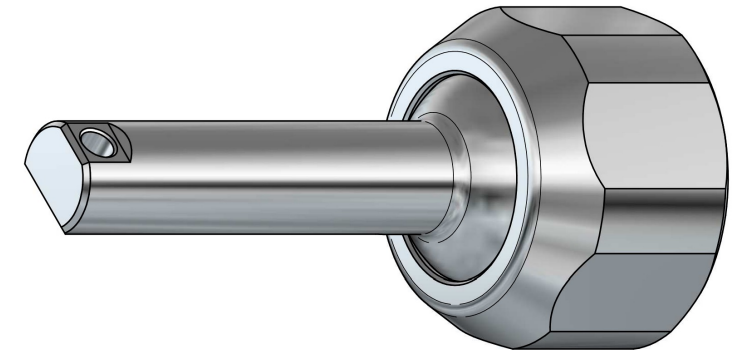
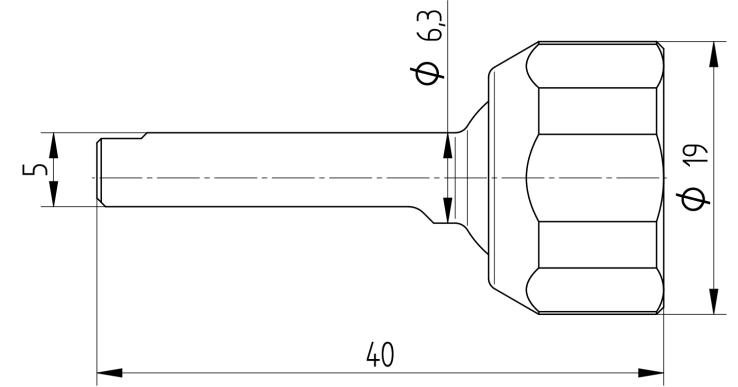
JP03-D10



JP03-D15



JP03-D20



S03 90° Chain Jet 1 mm

SmarTec Line: S03
Angle: 90°
External Diameter: 19 [mm] (0.75")
Effective Length: 40 [mm] (1.575")
Internal Diameter: 1 [mm] (0.04")
Tooling: SW 18
Material: Austenitic Stainless Steel / NBR (Buna-N)
Temperature Range: -30°C to 120°C (-20°F to 250°F)

S03 90° Chain Jet 1.5 mm

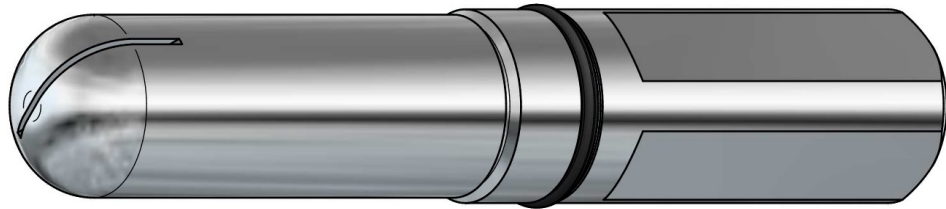
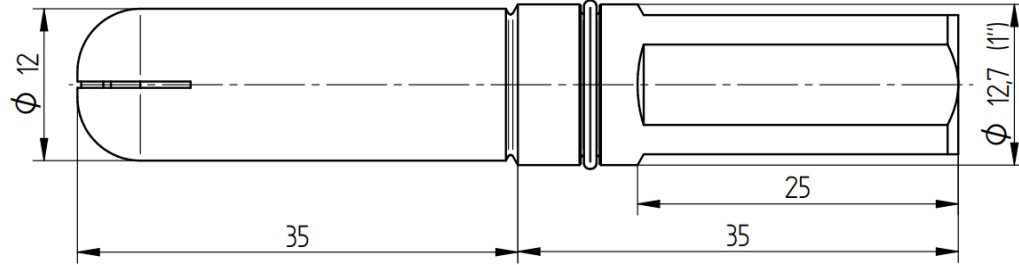
SmarTec Line: S03
Angle: 90°
External Diameter: 19 [mm] (0.75")
Effective Length: 40 [mm] (1.575")
Internal Diameter: 1.5 [mm] (0.06")
Tooling: SW 18
Material: Austenitic Stainless Steel / NBR (Buna-N)
Temperature Range: -30°C to 120°C (-20°F to 250°F)

S03 90° Chain Jet 2 mm

SmarTec Line: S03
Angle: 90°
External Diameter: 19 [mm] (0.75")
Effective Length: 40 [mm] (1.575")
Internal Diameter: 2 [mm] (0.08")
Tooling: SW 18
Material: Austenitic Stainless Steel / NBR (Buna-N)
Temperature Range: -30°C to 120°C (-20°F to 250°F)

JR03

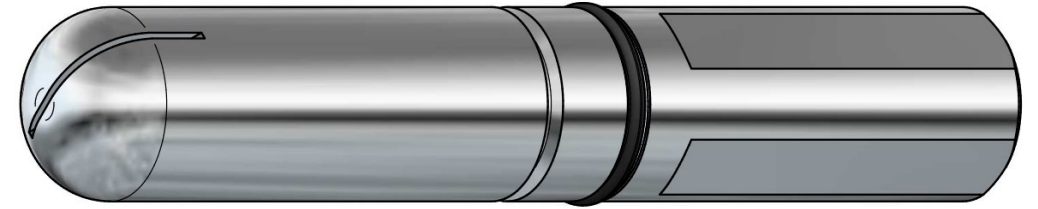
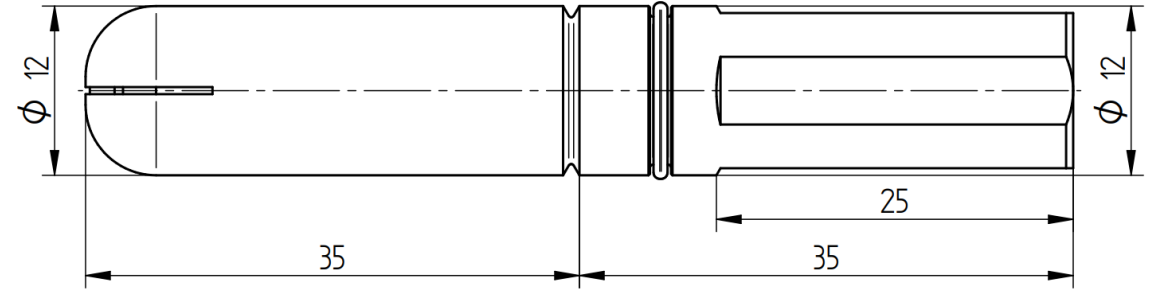
JR03-IN



S03 Machine Cleaning Jet Imperial

SmarTec Line: S03
External Diameter: 12.7 [mm] (0.5")
Effective Length: 35 [mm] (1.38")
Internal Diameter: 3.5 [mm] (0.14")
Flats: 11 [mm] (0.43")
Flats Length: 25 [mm] (1")
Clamping Length: 35 [mm] (1.38")
Material: Austenitic Stainless Steel / NBR (Buna-N)
Temperature Range: -30°C to 120°C (-20°F to 250°F)

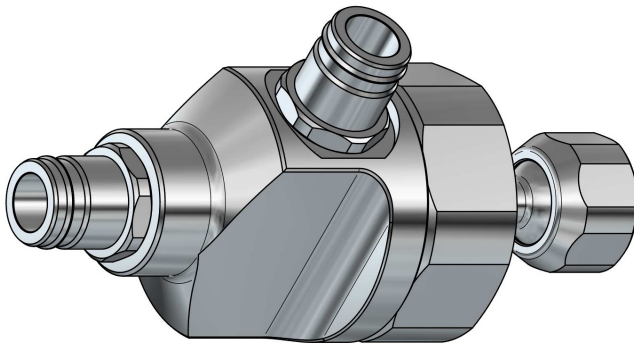
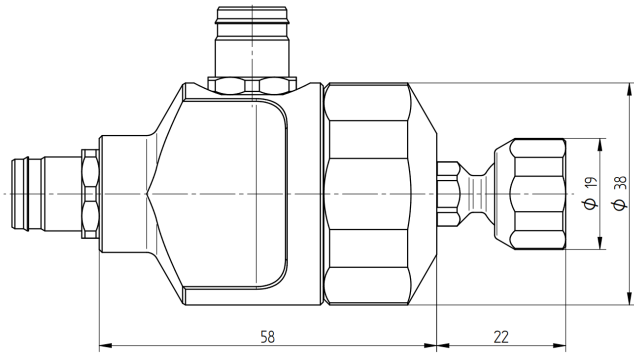
JR03-ME



S03 Machine Cleaning Jet Metric

SmarTec Line: S03
External Diameter: 12 [mm] (0.47")
Effective Length: 35 [mm] (1.38")
Internal Diameter: 3.5 [mm] (0.14")
Flats: 11 [mm] (0.43")
Flats Length: 25 [mm] (1")
Clamping Length: 35 [mm] (1.38")
Material: Austenitic Stainless Steel / NBR (Buna-N)
Temperature Range: -30°C to 120°C (-20°F to 250°F)

VL03



S03 Mechanical Valve

SmarTec Line: S03

External Diameter: 38 [mm] (1.5")

Effective Length: 80 [mm] (3.15")

Internal Diameter: 3.5 [mm] (0.14")

Tooling: SW 18

Material: Austenitic Stainless Steel / NBR (Buna-N)

Temperature Range: -30°C to 120°C (-20°F to 250°F)

KIT 03

KIT 03 – CONT'

KIT 03						KIT 03 – CONT'					
No.	Element	KIT03 S	KIT03 M	KIT03 L	Notes	No.	Element	KIT03 S	KIT03 M	KIT03 L	Notes
1	AM03-G125	1	1	3		26	JB03-W15	1	1	2	
2	AM03-G250	1	1	3		27	JB03-W20		1	2	
3	CH03-AS	10	20	40		28	JH03-D10		1	2	
4	CH03-AM	2	5	5		29	JH03-D15	1	1	2	
5	CH03-AL	2	5	5		30	JH03-D20		1	2	
6	CH03-FS	2	2	4		31	JM03-A04		1	2	
7	CH03-FM		2	4		32	JM03-A08	1	1	2	
8	CH03-FL	2	2	4		33	JM03-A12		1	2	
9	CH03-PS	2	2	4		34	JM03-P03			1	
10	CH03-PM		2	4		35	JM03-P06	1	1	1	
11	CH03-PL	2	2	4		36	JM03-P09			1	
12	CH03-TS	2	2	4		37	JM03-P12		1	1	
13	CH03-TM		2	4		38	JF03-D10		1	1	
14	CH03-TL	2	2	4		39	JF03-D15	1	1	1	
15	CH03-YS	2	2	4		40	JP03-D10		1	1	
16	CH03-YM	2	2	4		41	JP03-D15	1	1	1	
17	CH03-YL	2	2	4		42	JP03-D20		1	1	
18	CH03-EF		2	4		43	JR03-IN			1	
19	CH03-ER		2	4		44	JR03-ME		1	1	
20	JS03	1	2	2		45	VL03		1	1	
21	JB03-SML			1	9 units						
22	JB03-V10		1	2							
23	JB03-V15	1	1	2							
24	JB03-V20		1	2							
25	JB03-W10		1	2			Total Units	42	83	159	