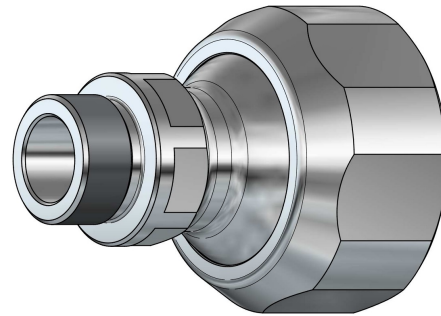
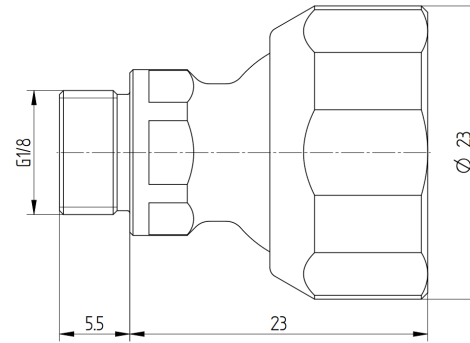


smartec

Contact: marketing@smartec-tools.com

Series 06

AJ06



S06 Jet Adaptor G1/8

SmarTec Line: S06

Connect to: JD06

External Diameter: 23 [mm] (0.9")

Effective Length: 23 [mm] (0.9")

Internal Diameter: 6.5 [mm] (0.256")

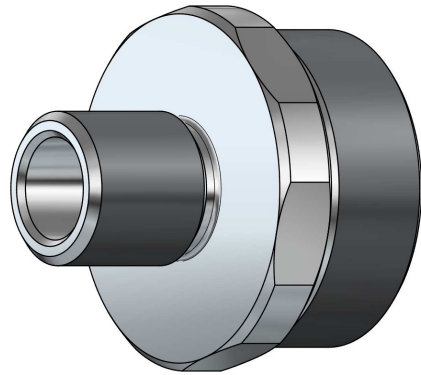
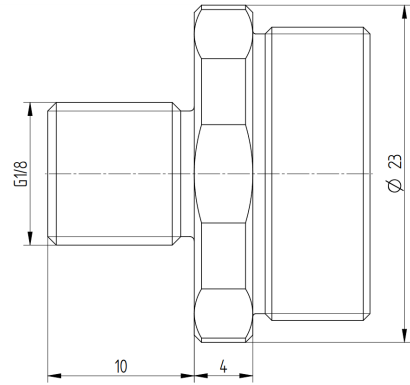
Tooling: SW 22

Thread: G1/8

Material: Austenitic Stainless Steel / NBR (Buna-N)

Temperature Range: -30°C to 120°C (-20°F to 250°F)

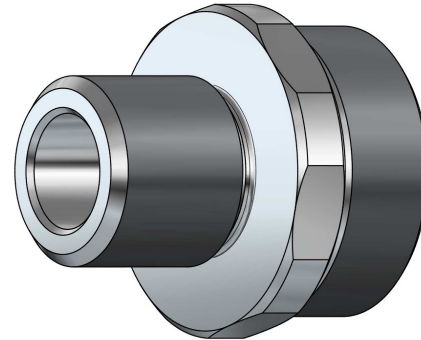
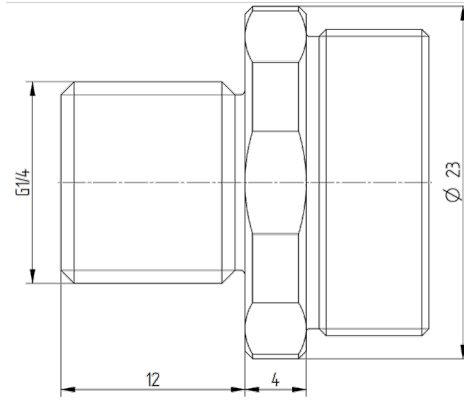
AM06-G125



S06 Machine Adaptor G1/8

SmarTec Line: S06
External Diameter: 23 [mm] (0.9")
Effective Length: 4 [mm] (0.16")
Internal Diameter: 6.5 [mm] (0.256")
Tooling: SW 22
Thread: G1/8
Material: Austenitic Stainless Steel
Temperature Range: -30°C to 120°C (-20°F to 250°F)

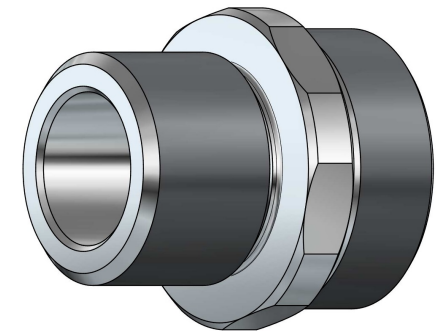
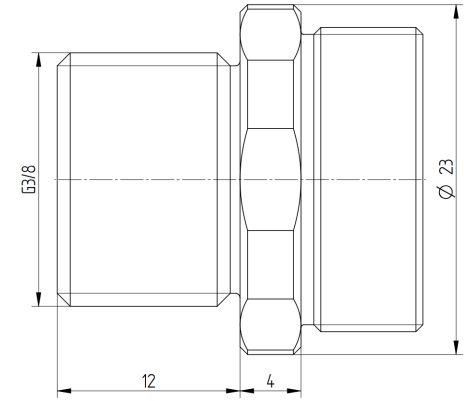
AM06-G250



S06 Machine Adaptor G1/4

SmarTec Line: S06
External Diameter: 23 [mm] (0.9")
Effective Length: 4 [mm] (0.16")
Internal Diameter: 6.5 [mm] (0.256")
Tooling: SW 22
Thread: G1/4
Material: Austenitic Stainless Steel
Temperature Range: -30°C to 120°C (-20°F to 250°F)

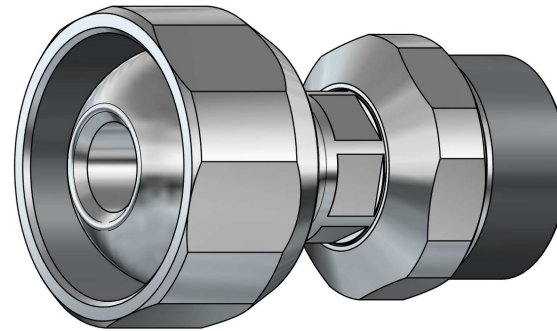
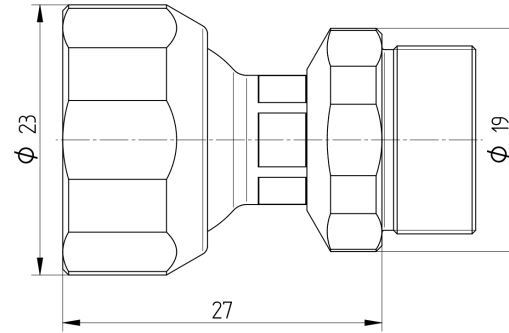
AM06-G375



S06 Machine Adaptor G3/8

SmarTec Line: S06
External Diameter: 23 [mm] (0.9")
Effective Length: 4 [mm] (0.16")
Internal Diameter: 6.5 [mm] (0.256")
Tooling: SW 22
Thread: G3/8
Material: Austenitic Stainless Steel
Temperature Range: -30°C to 120°C (-20°F to 250°F)

AS06-TS03



S06 to S03 Series Adaptor

SmarTec Line: S06

Base Line: S06

Secondary Line: S03

External Diameter: 23 [mm] (0.9")

Effective Length: 27 [mm] (1.06")

Internal Diameter: 3.5 [mm] (0.14")

Tooling: SW 22, SW18

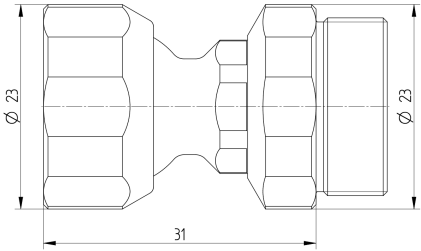
Material: Austenitic Stainless Steel / NBR (Buna-N)

Temperature Range: -30°C to 120°C (-20°F to 250°F)

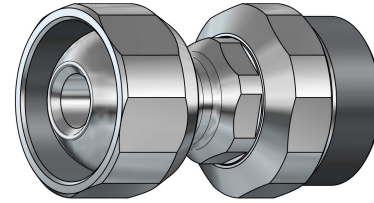
CH06A

S06 Basic Chain Unit Short

SmarTec Line: S06
External Diameter: 23 [mm] (0.9")
Effective Length: 31 [mm] (1.2")
Internal Diameter: 6.5 [mm] (0.256")
Tooling: SW 22
Material: Austenitic Stainless Steel / NBR (Buna-N)
Temperature Range: -30°C to 120°C (-20°F to 250°F)

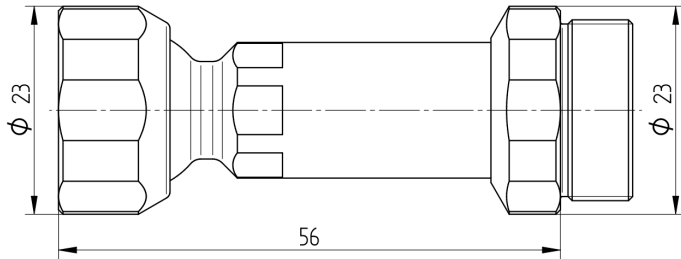


CH06-AS

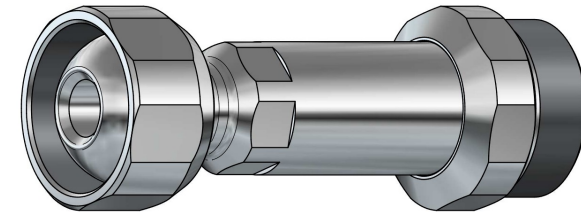


S06 Basic Chain Unit Mean

SmarTec Line: S06
External Diameter: 23 [mm] (0.9")
Effective Length: 56 [mm] (2.2")
Internal Diameter: 6.5 [mm] (0.256")
Tooling: SW 22
Material: Austenitic Stainless Steel / NBR (Buna-N)
Temperature Range: -30°C to 120°C (-20°F to 250°F)

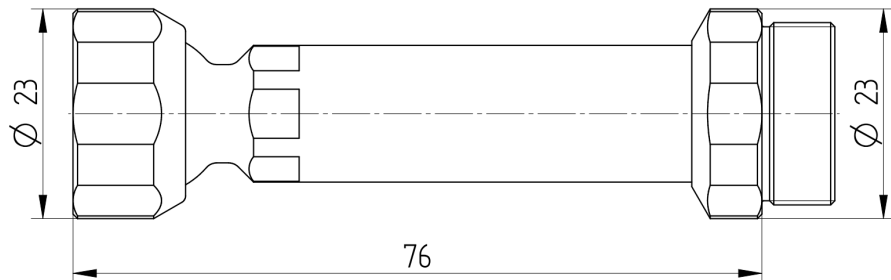


CH06-AM

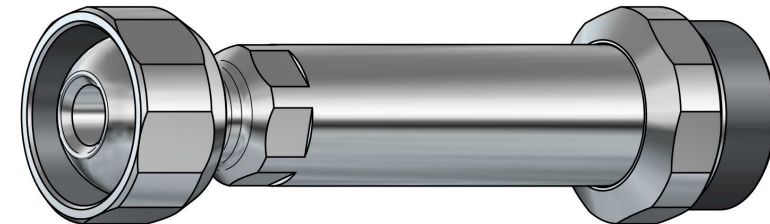


S06 Basic Chain Unit Long

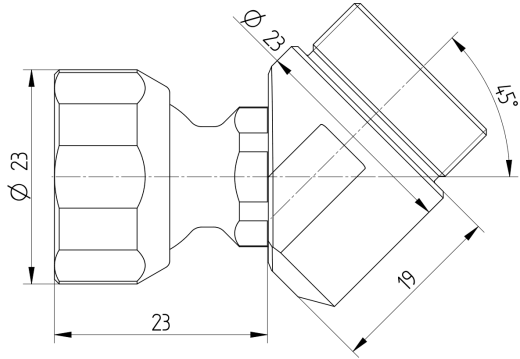
SmarTec Line: S06
External Diameter: 23 [mm] (0.9")
Effective Length: 76 [mm] (3")
Internal Diameter: 6.5 [mm] (0.256")
Tooling: SW 22
Material: Austenitic Stainless Steel / NBR (Buna-N)
Temperature Range: -30°C to 120°C (-20°F to 250°F)



CH06-AL



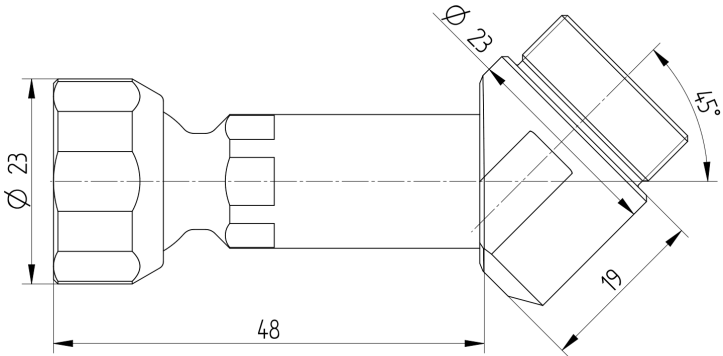
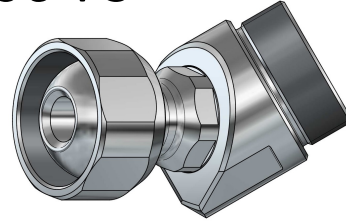
CH06F



S06 45° Chain Unit Short

SmarTec Line: S06
Angle: 45°
External Diameter: 23 [mm] (0.9")
Effective Length: 23, 19 [mm] (0.9", 0.75")
Internal Diameter: 6.5 [mm] (0.256")
Tooling: SW 22
Material: Austenitic Stainless Steel / NBR (Buna-N)
Temperature Range: -30°C to 120°C (-20°F to 250°F)

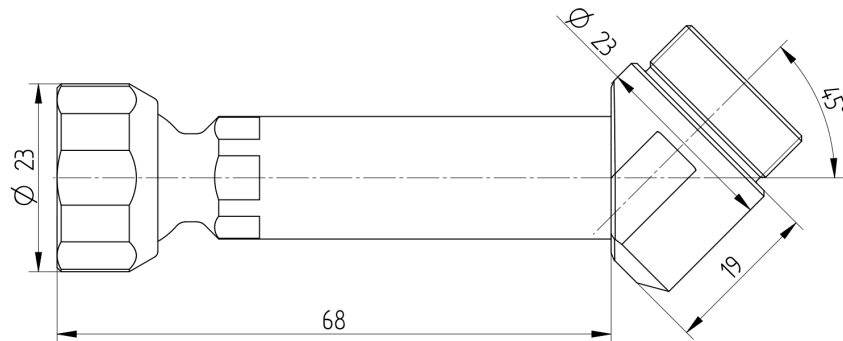
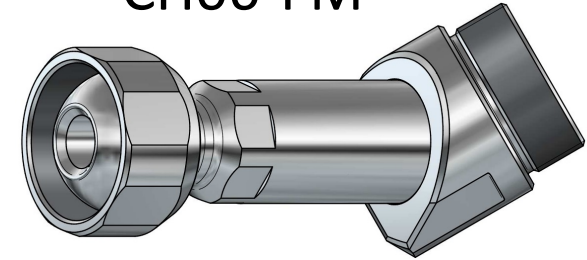
CH06-FS



S06 45° Chain Unit Mean

SmarTec Line: S06
Angle: 45°
External Diameter: 23 [mm] (0.9")
Effective Length: 48, 19 [mm] (1.9", 0.75")
Internal Diameter: 6.5 [mm] (0.256")
Tooling: SW 22
Material: Austenitic Stainless Steel / NBR (Buna-N)
Temperature Range: -30°C to 120°C (-20°F to 250°F)

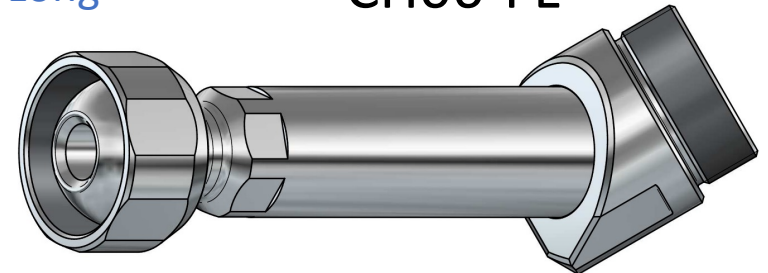
CH06-FM



S06 45° Chain Unit Long

SmarTec Line: S06
Angle: 45°
External Diameter: 23 [mm] (0.9")
Effective Length: 68, 19 [mm] (2.68", 0.75")
Internal Diameter: 6.5 [mm] (0.256")
Tooling: SW 22
Material: Austenitic Stainless Steel / NBR (Buna-N)
Temperature Range: -30°C to 120°C (-20°F to 250°F)

CH06-FL

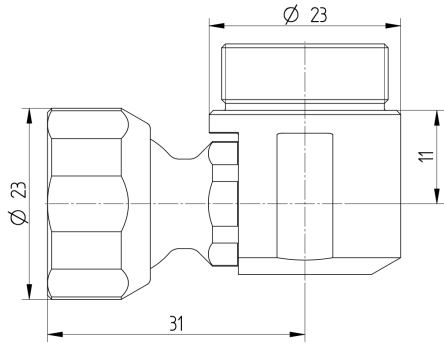
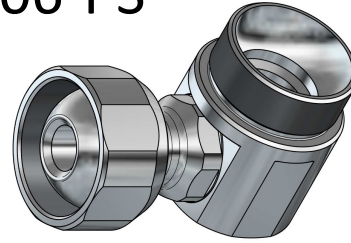


CH06P

S06 90° Chain Unit Short

SmarTec Line: S06
Angle: 90°
External Diameter: 23 [mm] (0.9")
Effective Length: 31, 11 [mm] (1.2", 0.43")
Internal Diameter: 6.5 [mm] (0.256")
Tooling: SW 22
Material: Austenitic Stainless Steel / NBR (Buna-N)
Temperature Range: -30°C to 120°C (-20°F to 250°F)

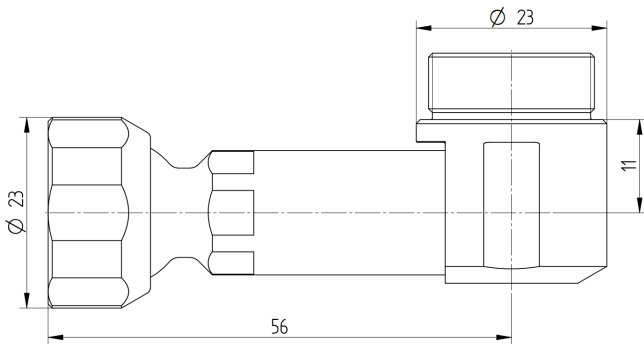
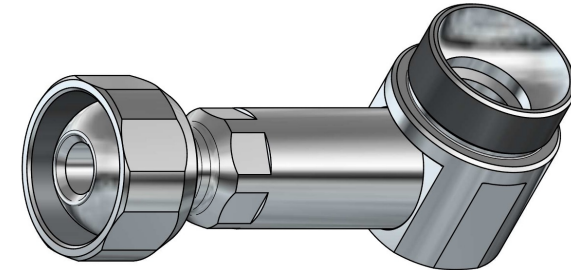
CH06-PS



S06 90° Chain Unit Mean

SmarTec Line: S06
Angle: 90°
External Diameter: 23 [mm] (0.9")
Effective Length: 56, 11 [mm] (2.2", 0.43")
Internal Diameter: 6.5 [mm]
Tooling: SW 22
Material: Austenitic Stainless Steel / NBR (Buna-N)
Temperature Range: -30°C to 120°C (-20°F to 250°F)

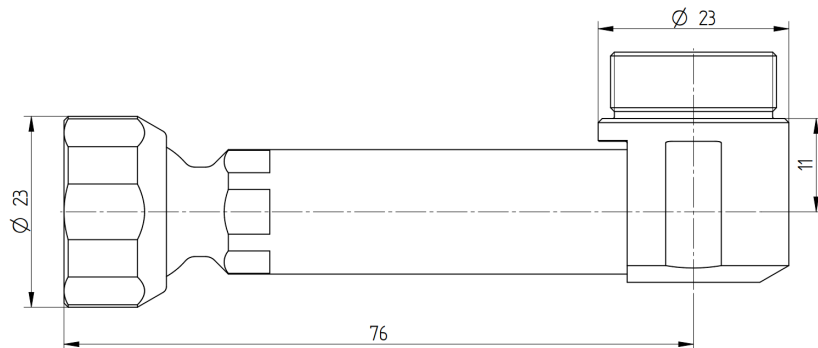
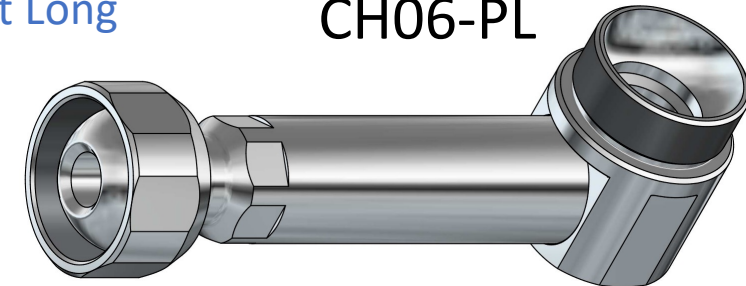
CH06-PM



S06 90° Chain Unit Long

SmarTec Line: S06
Angle: 90°
External Diameter: 23 [mm] (0.9")
Effective Length: 76, 11 [mm] (3", 0.43")
Internal Diameter: 6.5 [mm] (0.256")
Tooling: SW 22
Material: Austenitic Stainless Steel / NBR (Buna-N)
Temperature Range: -30°C to 120°C (-20°F to 250°F)

CH06-PL

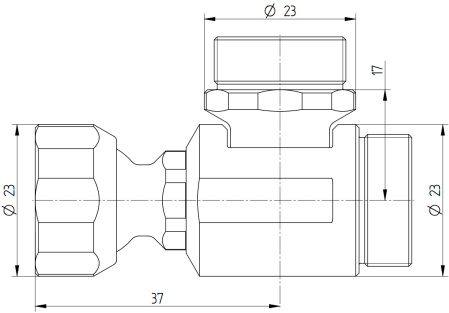
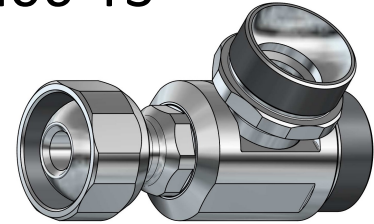


CH06T

S06 T Chain Unit Short

SmarTec Line: S06
Angle: 90° + 90°
External Diameter: 23 [mm] (0.9")
Effective Length: 37, 17 [mm] (1.45", 0.67")
Internal Diameter: 6.5 [mm] (0.256")
Tooling: SW 22
Material: Austenitic Stainless Steel / NBR (Buna-N)
Temperature Range: -30°C to 120°C (-20°F to 250°F)

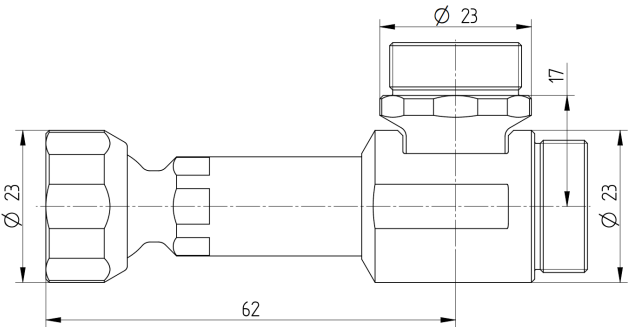
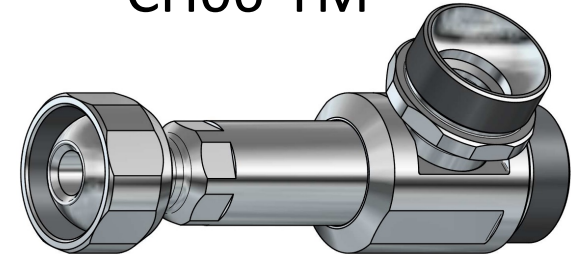
CH06-TS



S06 T Chain Unit Mean

SmarTec Line: S06
Angle: 90° + 90°
External Diameter: 23 [mm] (0.9")
Effective Length: 62, 17 [mm] (2.44", 0.67")
Internal Diameter: 6.5 [mm] (0.256")
Tooling: SW 22
Material: Austenitic Stainless Steel / NBR (Buna-N)
Temperature Range: -30°C to 120°C (-20°F to 250°F)

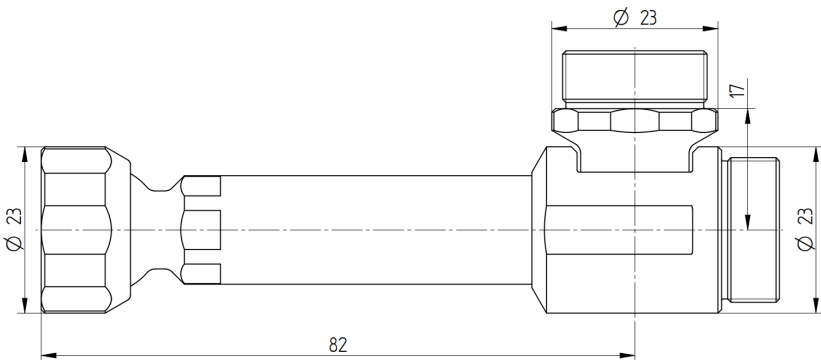
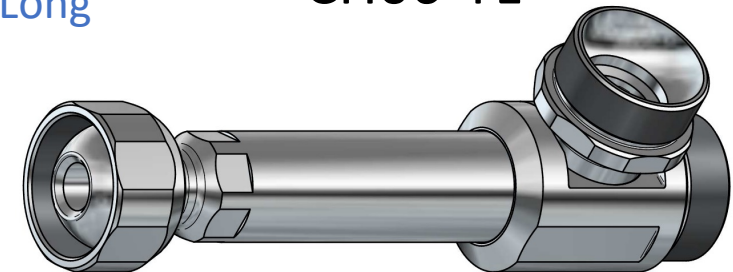
CH06-TM



S06 T Chain Unit Long

SmarTec Line: S06
Angle: 90° + 90°
External Diameter: 23 [mm] (0.9")
Effective Length: 82, 17 [mm] (3.2", 0.67")
Internal Diameter: 6.5 [mm] (0.256")
Tooling: SW 22
Material: Austenitic Stainless Steel / NBR (Buna-N)
Temperature Range: -30°C to 120°C (-20°F to 250°F)

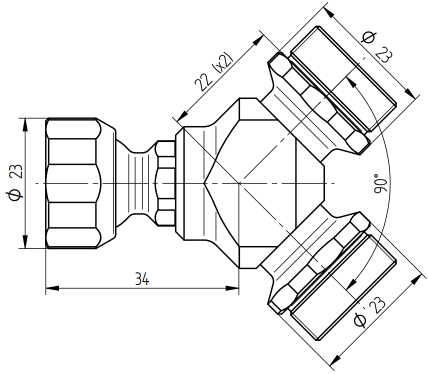
CH06-TL



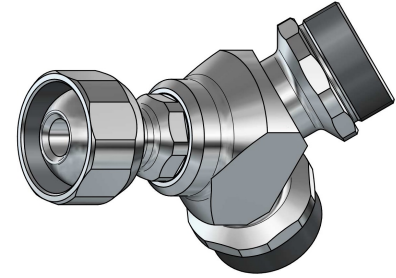
CH06Y

S06 Y Chain Unit Short

SmarTec Line: S06
Angle: 45° + 45°
External Diameter: 23 [mm] (0.9")
Effective Length: 34, 22, 22 [mm] (1.34", 0.87", 0.87")
Internal Diameter: 6.5 [mm] (0.256")
Tooling: SW 22
Material: Austenitic Stainless Steel / NBR (Buna-N)
Temperature Range: -30°C to 120°C (-20°F to 250°F)

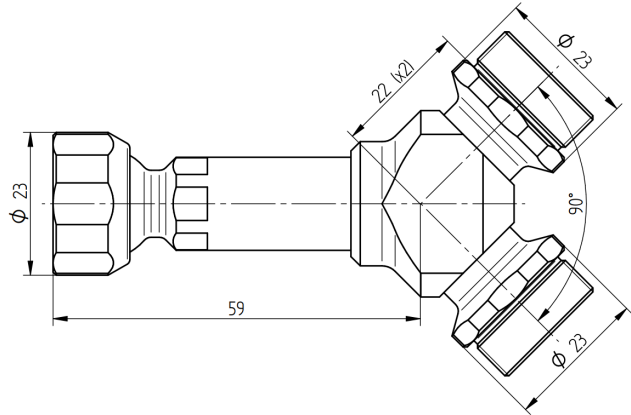


CH06-YS

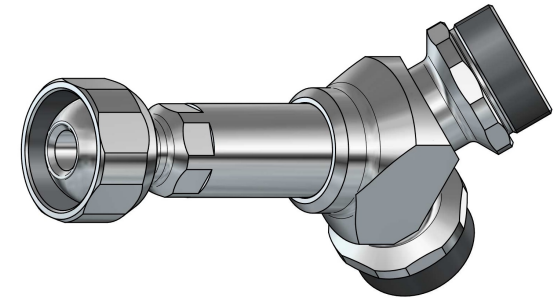


S06 Y Chain Unit Mean

SmarTec Line: S06
Angle: 45° + 45°
External Diameter: 23 [mm] (0.9")
Effective Length: 59, 22, 22 [mm] (2.3", 0.87", 0.87")
Internal Diameter: 6.5 [mm] (0.256")
Tooling: SW 22
Material: Austenitic Stainless Steel / NBR (Buna-N)
Temperature Range: -30°C to 120°C (-20°F to 250°F)

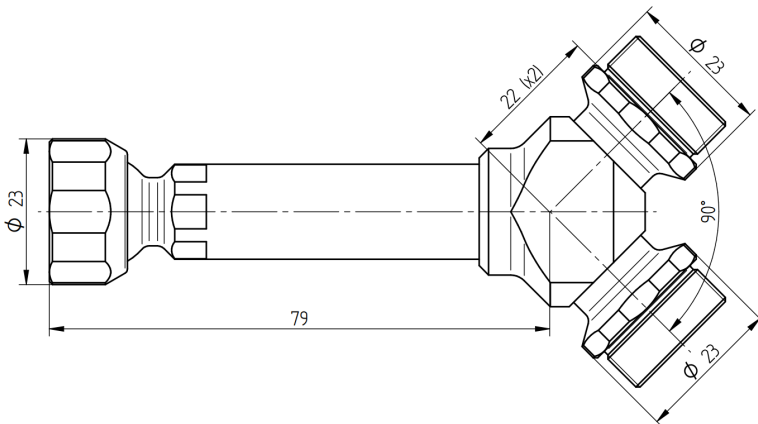


CH06-YM

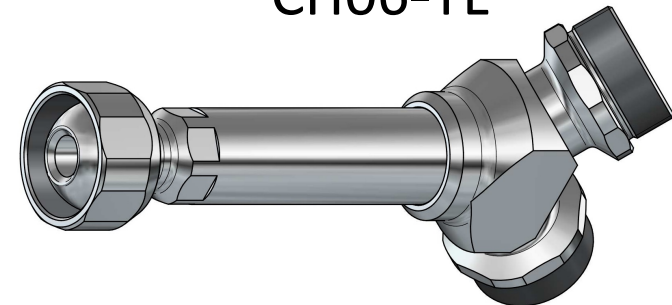


S06 Y Chain Unit Long

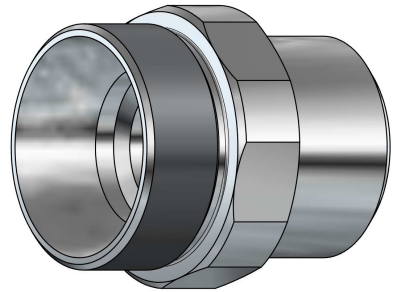
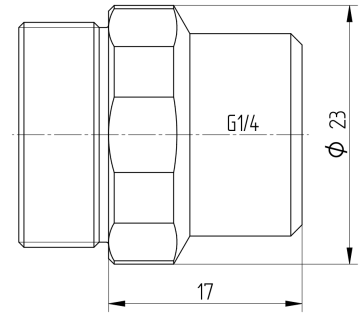
SmarTec Line: S06
Angle: 45° + 45°
External Diameter: 23 [mm] (0.9")
Effective Length: 79, 22, 22 [mm] (3.1", 0.87", 0.87")
Internal Diameter: 6.5 [mm] (0.256")
Tooling: SW 22
Material: Austenitic Stainless Steel / NBR (Buna-N)
Temperature Range: -30°C to 120°C (-20°F to 250°F)



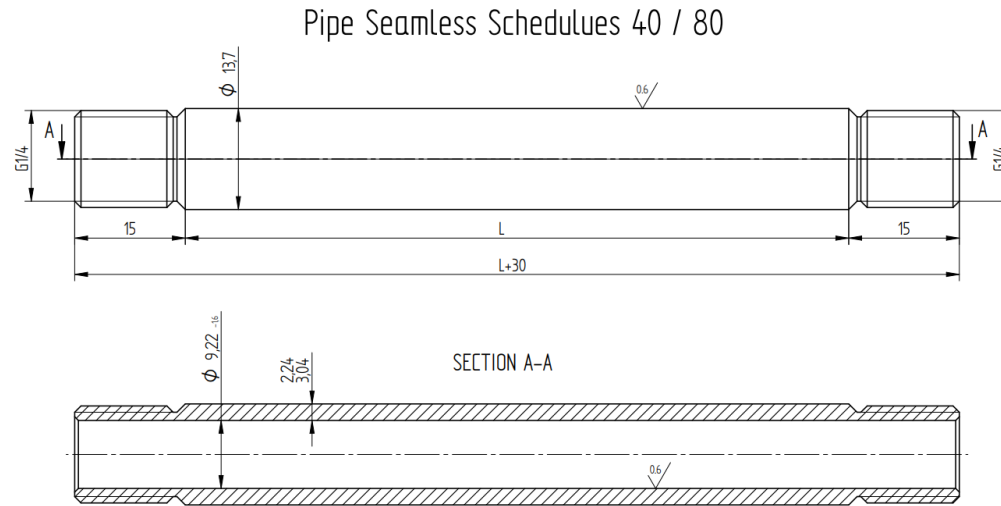
CH06-YL



CH06-EF

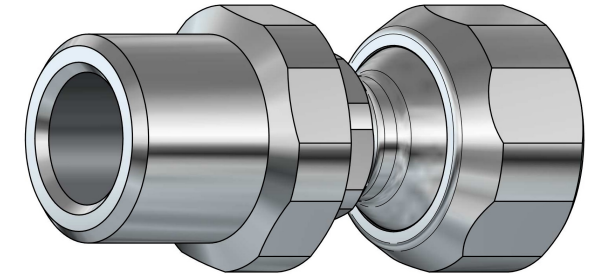
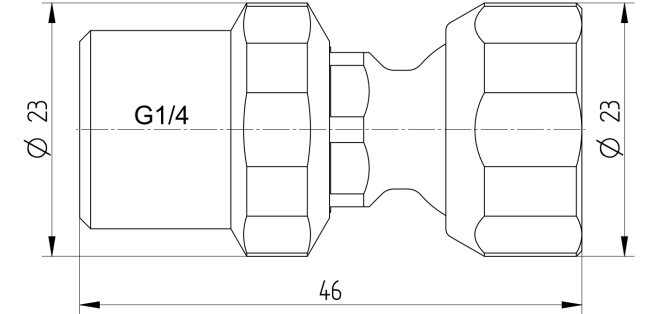


CH06E



Pipe Size - 1/4
Pipe for CH06E

CH06-ER



S06 Extension Chain Unit Front Adaptor

SmarTec Line: S06
 External Diameter: 23 [mm] (0.9")
 Effective Length: 17 [mm] (0.67")
 Internal Diameter: 6.5 [mm] (0.256")
 Thread: G1/4
 Tooling: SW 22
 Material: Austenitic Stainless Steel
 Temperature Range: -30°C to 120°C (-20°F to 250°F)

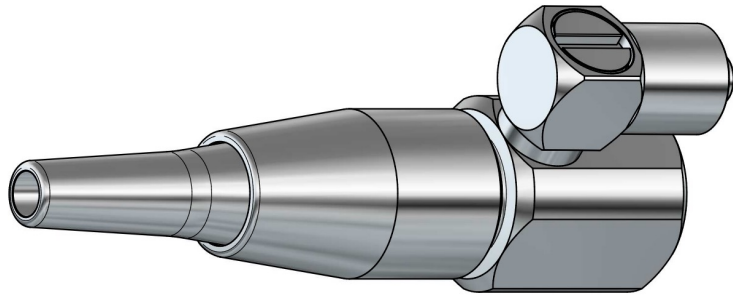
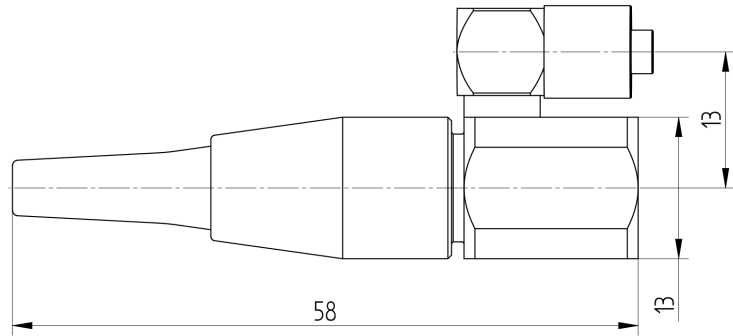
S06 Pipe Extension Chain Unit



S06 Extension Chain Unit Rear Adaptor

SmarTec Line: S06
 External Diameter: 23 [mm] (0.9")
 Effective Length: 46 [mm] (1.8")
 Internal Diameter: 6.5 [mm] (0.256")
 Thread: G1/4
 Tooling: SW 22
 Material: Austenitic Stainless Steel / NBR (Buna-N)
 Temperature Range: -30°C to 120°C (-20°F to 250°F)

JD06



S06 Smart Jet

SmarTec Line: S06

Chain Adaptor: AJ06

External Diameter: 15 [mm] (0.6")

Effective Length: 58, 13 [mm] (2.8", 0.51")

Internal Diameter: 6.5 [mm] (0.256")

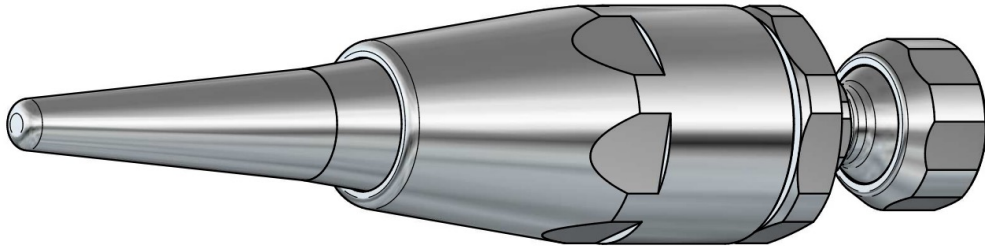
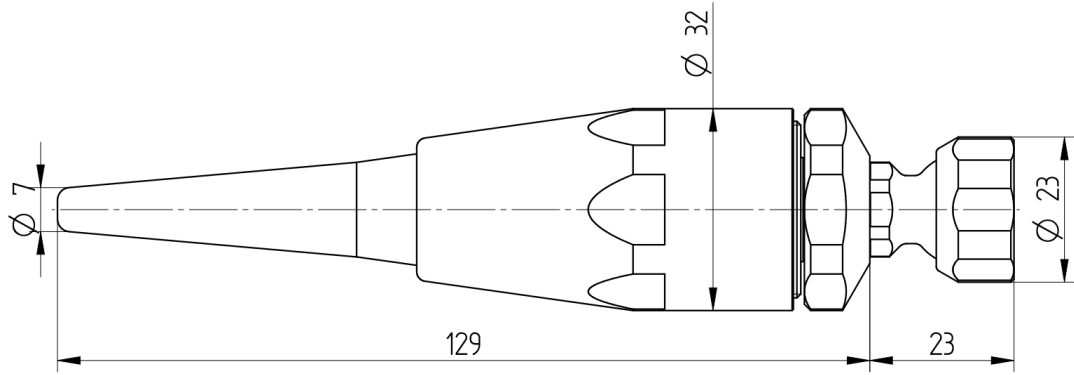
Rear Thread: G1/8

Tooling: SW 13

Material: Austenitic Stainless Steel / NBR (Buna-N)

Temperature Range: -30°C to 120°C (-20°F to 250°F)

JS06



S06 Adjustable Jet

SmarTec Line: S06

External Diameter: 32 [mm] (1.26")

Effective Length: 152 [mm] (6")

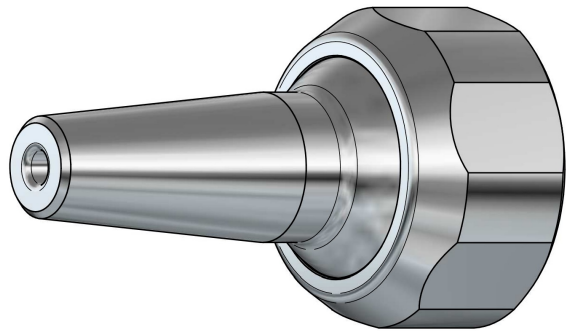
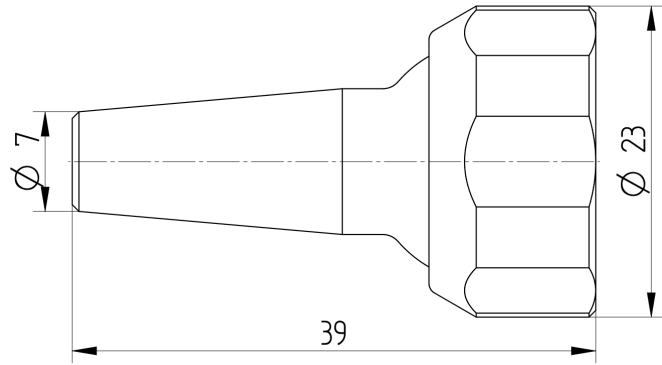
Internal Diameter: 6.5 [mm] (0.256")

Tooling: SW 22

Material: Austenitic Stainless Steel / NBR (Buna-N)

Temperature Range: -30°C to 120°C (-20°F to 250°F)

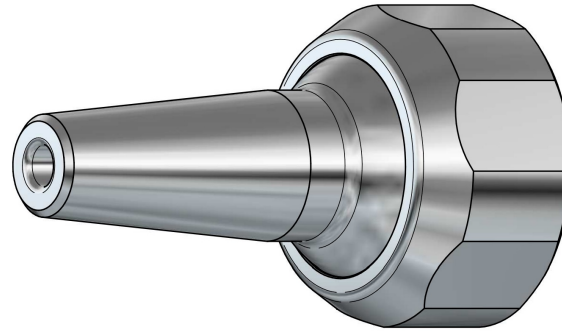
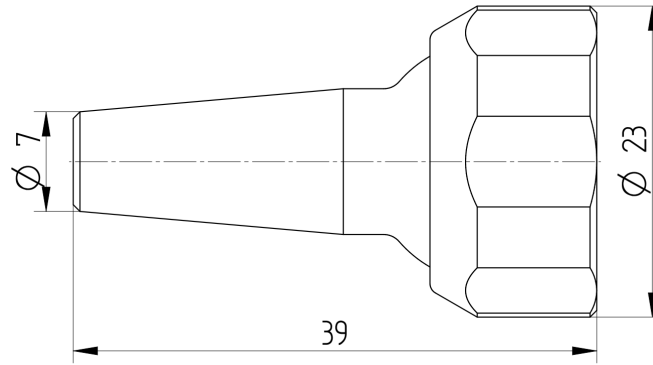
JH06-D25



S06 Basic Chain Jet 2.5 mm

SmarTec Line: S06
 External Diameter: 23 [mm] (0.9")
 Effective Length: 39 [mm] (1.54")
 Internal Diameter: 2.5 [mm] (0.1")
 Tooling: SW 22
 Material: Austenitic Stainless Steel / NBR (Buna-N)
 Temperature Range: -30°C to 120°C (-20°F to 250°F)

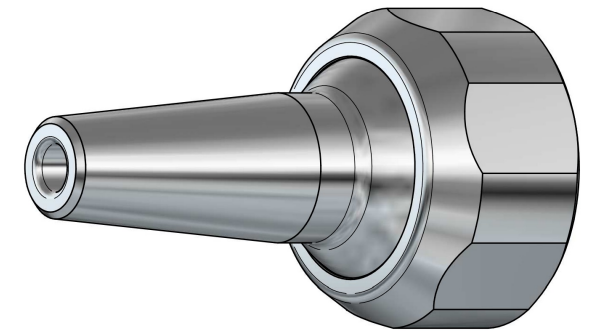
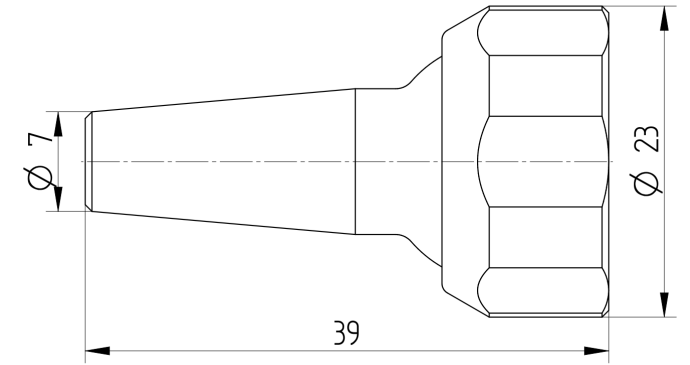
JH06-D30



S06 Basic Chain Jet 3 mm

SmarTec Line: S06
 External Diameter: 23 [mm] (0.9")
 Effective Length: 39 [mm] (1.54")
 Internal Diameter: 3 [mm] (0.12")
 Tooling: SW 22
 Material: Austenitic Stainless Steel / NBR (Buna-N)
 Temperature Range: -30°C to 120°C (-20°F to 250°F)

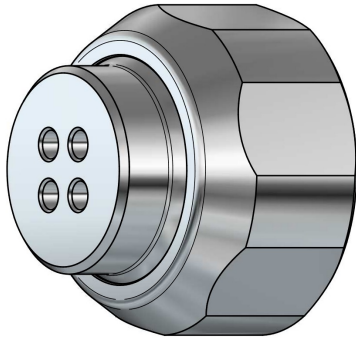
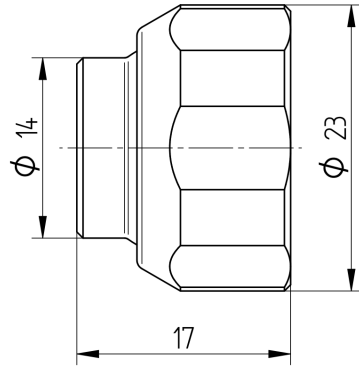
JH06-D35



S06 Basic Chain Jet 3.5 mm

SmarTec Line: S06
 External Diameter: 23 [mm] (0.9")
 Effective Length: 39 [mm] (1.54")
 Internal Diameter: 3.5 [mm] (0.14")
 Tooling: SW 22
 Material: Austenitic Stainless Steel / NBR (Buna-N)
 Temperature Range: -30°C to 120°C (-20°F to 250°F)

JM06-A04



S06 Basic Chain Jet 4

SmarTec Line: S06

External Diameter: 23 [mm] (0.9")

Effective Length: 17 [mm] (0.67")

Internal Diameter: 2 [mm] (0.08")

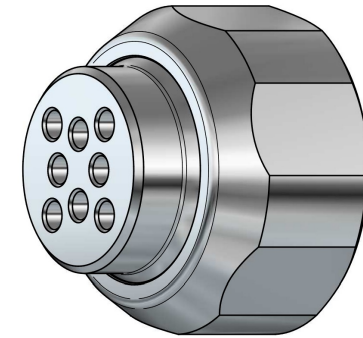
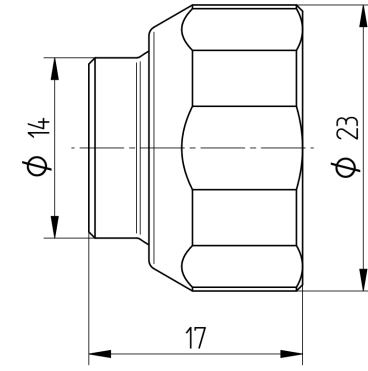
Number of Jets: 4

Tooling: SW 22

Material: Austenitic Stainless Steel / NBR (Buna-N)

Temperature Range: -30°C to 120°C (-20°F to 250°F)

JM06-A08



S06 Basic Chain Jet 8

SmarTec Line: S06

External Diameter: 23 [mm] (0.9")

Effective Length: 17 [mm] (0.67")

Internal Diameter: 2 [mm] (0.08")

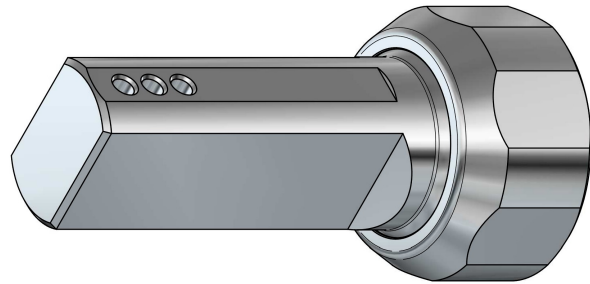
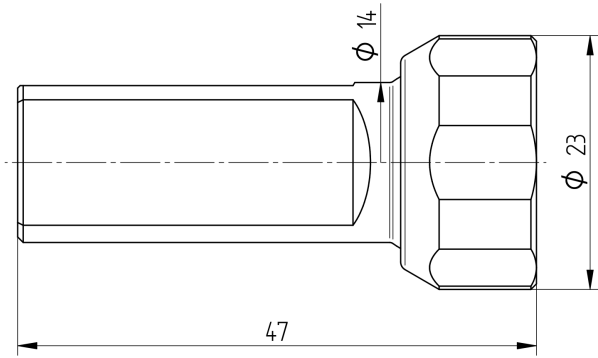
Number of Jets: 8

Tooling: SW 22

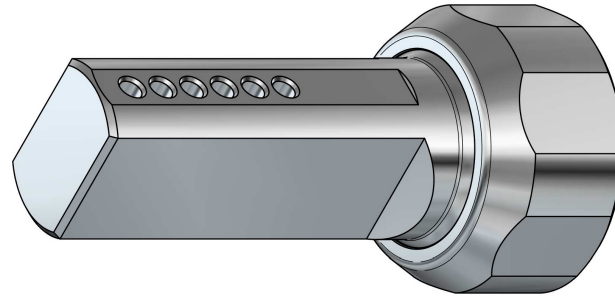
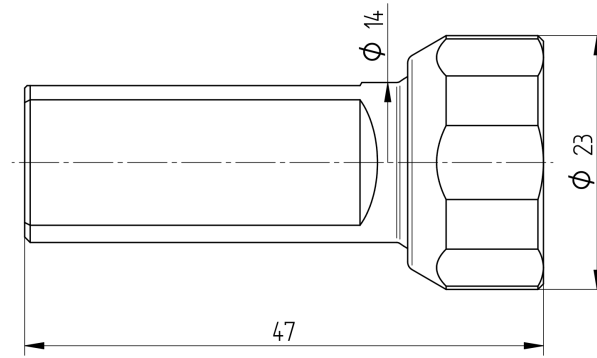
Material: Austenitic Stainless Steel / NBR (Buna-N)

Temperature Range: -30°C to 120°C (-20°F to 250°F)

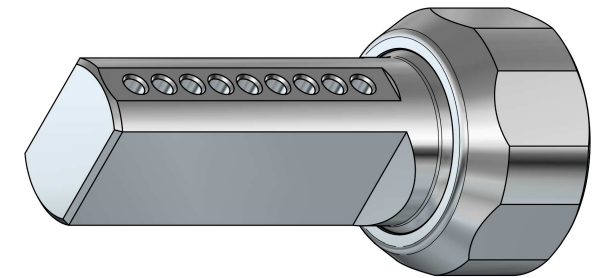
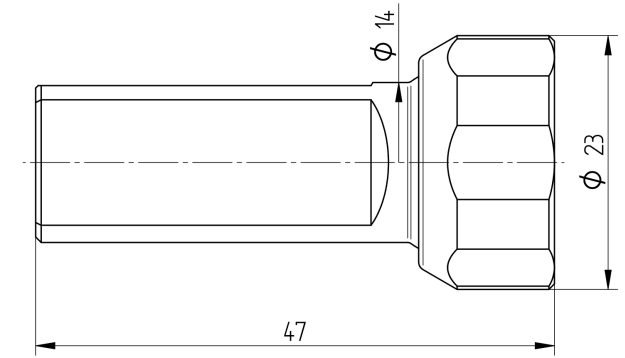
JM06-P03



JM06-P06



JM06-P09



S06 90° Chain Jet 3

SmarTec Line: S06
Angle: 90 °
External Diameter: 23 [mm] (0.9")
Effective Length: 47 [mm] (1.85")
Internal Diameter: 2 [mm] (0.08")
Number of Jets: 3
Tooling: SW 22
Material: Austenitic Stainless Steel / NBR (Buna-N)
Temperature Range: -30°C to 120°C (-20°F to 250°F)

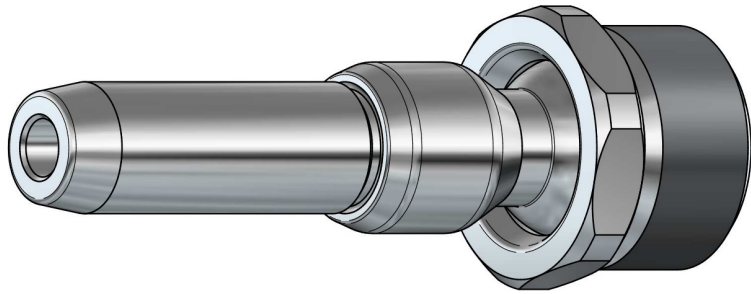
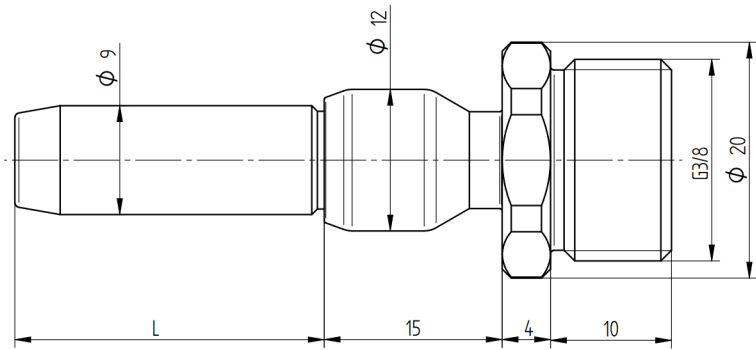
S06 90° Chain Jet 6

SmarTec Line: S06
Angle: 90 °
External Diameter: 23 [mm] (0.9")
Effective Length: 47 [mm] (1.85")
Internal Diameter: 2 [mm] (0.08")
Number of Jets: 6
Tooling: SW 22
Material: Austenitic Stainless Steel / NBR (Buna-N)
Temperature Range: -30°C to 120°C (-20°F to 250°F)

S06 90° Chain Jet 9

SmarTec Line: S06
Angle: 90 °
External Diameter: 23 [mm] (0.9")
Effective Length: 47 [mm] (1.85")
Internal Diameter: 2 [mm] (0.08")
Number of Jets: 9
Tooling: SW 22
Material: Austenitic Stainless Steel / NBR (Buna-N)
Temperature Range: -30°C to 120°C (-20°F to 250°F)

JB06



Cat No.	L	D
JB06-S20	15	2.0
JB06-S40	15	4.0
JB06-S60	15	6.0
JB06-M20	30	2.0
JB06-M40	30	4.0
JB06-M60	30	6.0
JB06-L20	60	2.0
JB06-L40	60	4.0
JB06-L60	60	6.0

S06 Modular Basic Block Jet

SmarTec Line: S06

External Diameter: 20 [mm] (0.79")

Effective Length: 34, 49, 79 [mm] (1.34", 1.93", 3.1")

Internal Diameter: 2, 4, 6 [mm] (0.08", 0.16", 0.24")

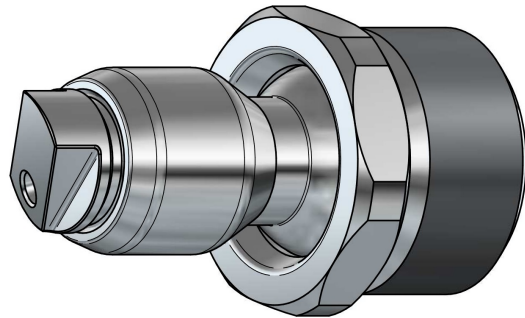
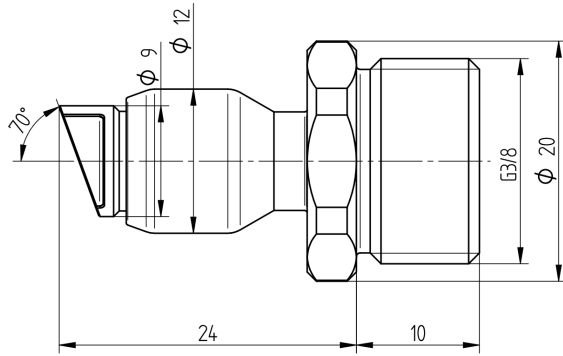
Tooling: SW 18

Thread: G3/8

Material: Austenitic Stainless Steel / NBR (Buna-N)

Temperature Range: -30°C to 120°C (-20°F to 250°F)

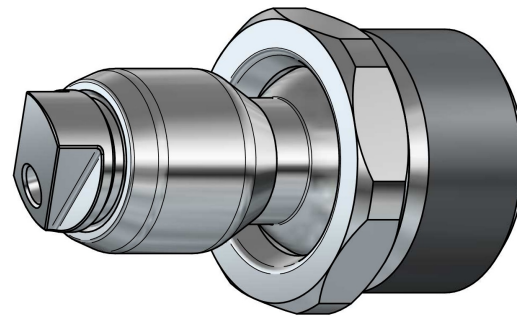
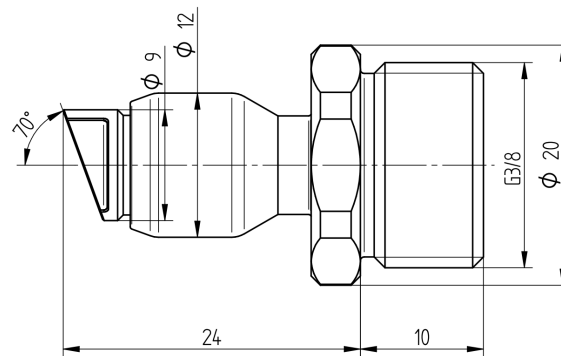
JB06-V20



S06 0° to 40° Block Jet 2 mm

SmarTec Line: S06
External Diameter: 20 [mm] (0.79")
Effective Length: 24 [mm] (0.94)
Internal Diameter: 2 [mm] (0.08")
Max Horizontal Angle: 40°
Min Horizontal Angle: 0°
Tooling: SW 18
Thread: G3/8
Material: Austenitic Stainless Steel / NBR (Buna-N)
Temperature Range: -30°C to 120°C (-20°F to 250°F)

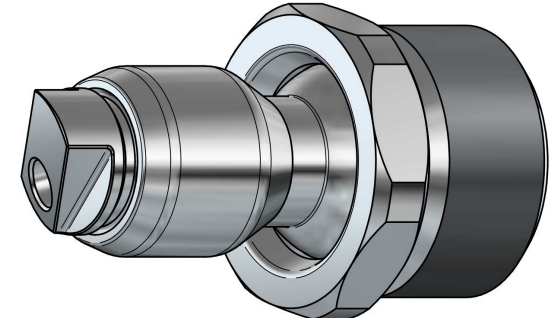
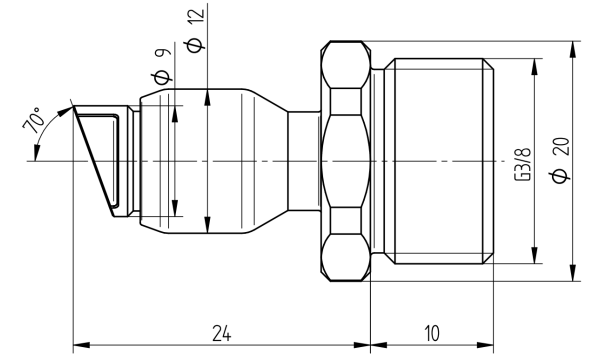
JB06-V25



S06 0° to 40° Block Jet 2.5 mm

SmarTec Line: S06
External Diameter: 20 [mm] (0.79")
Effective Length: 24 [mm] (0.94)
Internal Diameter: 2.5 [mm] (0.1")
Max Horizontal Angle: 40°
Min Horizontal Angle: 0°
Tooling: SW 18
Thread: G3/8
Material: Austenitic Stainless Steel / NBR (Buna-N)
Temperature Range: -30°C to 120°C (-20°F to 250°F)

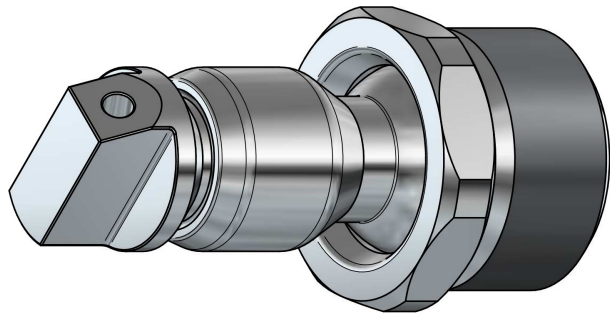
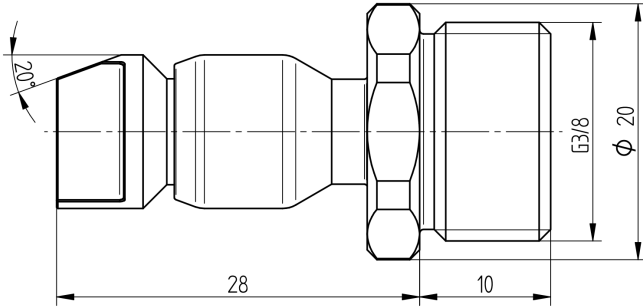
JB06-V30



S06 0° to 40° Block Jet 3 mm

SmarTec Line: S06
External Diameter: 20 [mm] (0.79")
Effective Length: 24 [mm] (0.94)
Internal Diameter: 3 [mm] (0.12")
Max Horizontal Angle: 40°
Min Horizontal Angle: 0°
Tooling: SW 18
Thread: G3/8
Material: Austenitic Stainless Steel / NBR (Buna-N)
Temperature Range: -30°C to 120°C (-20°F to 250°F)

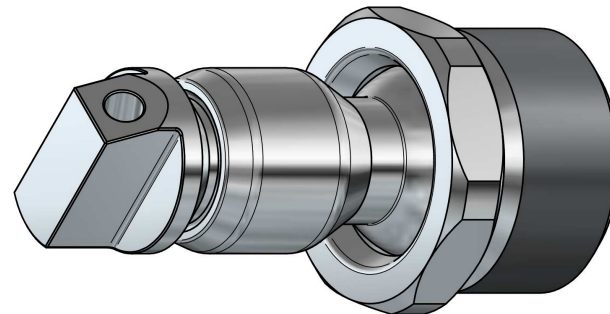
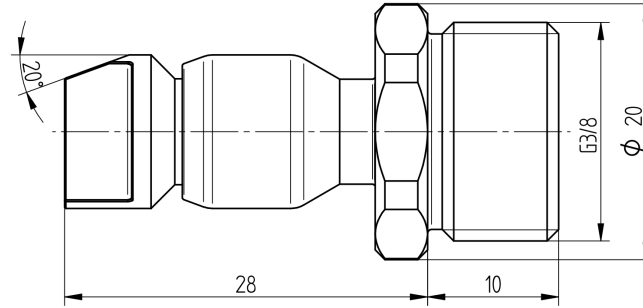
JB06-W20



S06 50° to 90° Block Jet 2 mm

SmarTec Line: S06
External Diameter: 20 [mm] (0.79")
Effective Length: 28 [mm] (1.1")
Internal Diameter: 2 [mm] (0.08")
Max Horizontal Angle: 90°
Min Horizontal Angle: 50°
Tooling: SW 18
Thread: G3/8
Material: Austenitic Stainless Steel / NBR (Buna-N)
Temperature Range: -30°C to 120°C (-20°F to 250°F)

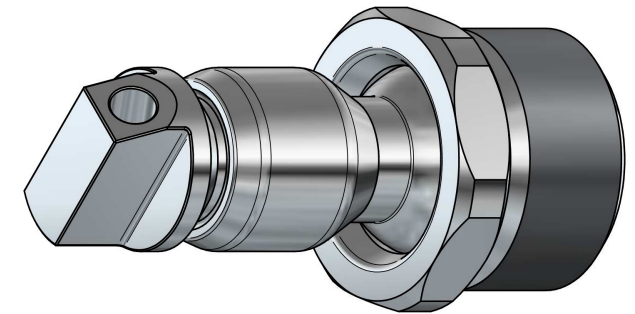
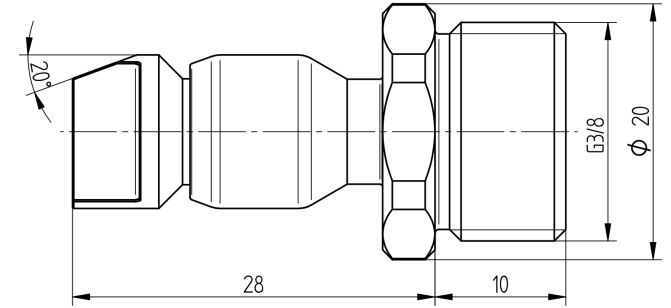
JB06-W25



S06 50° to 90° Block Jet 2.5 mm

SmarTec Line: S06
External Diameter: 20 [mm] (0.79")
Effective Length: 28 [mm] (1.1")
Internal Diameter: 2.5 [mm] (0.1")
Max Horizontal Angle: 90°
Min Horizontal Angle: 50°
Tooling: SW 18
Thread: G3/8
Material: Austenitic Stainless Steel / NBR (Buna-N)
Temperature Range: -30°C to 120°C (-20°F to 250°F)

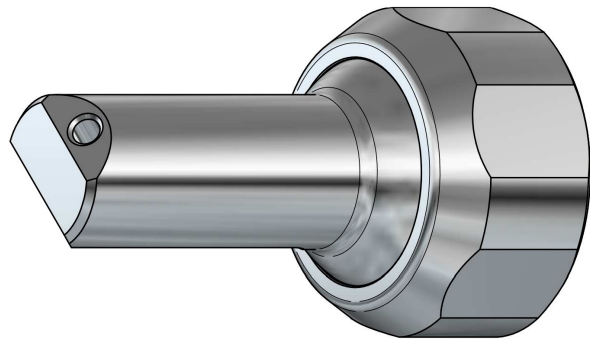
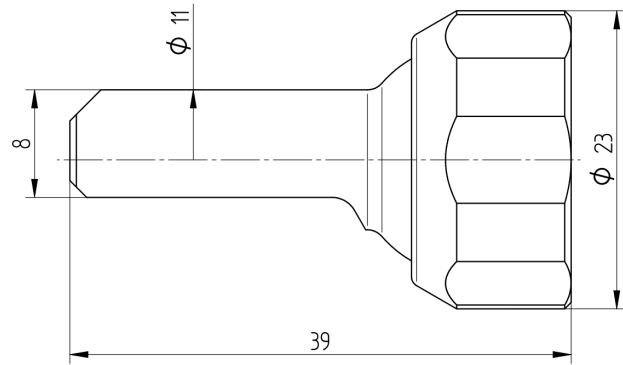
JB06-W30



S06 50° to 90° Block Jet 3 mm

SmarTec Line: S06
External Diameter: 20 [mm] (0.79")
Effective Length: 28 [mm] (1.1")
Internal Diameter: 3 [mm] (0.12")
Max Horizontal Angle: 90°
Min Horizontal Angle: 50°
Tooling: SW 18
Thread: G3/8
Material: Austenitic Stainless Steel / NBR (Buna-N)
Temperature Range: -30°C to 120°C (-20°F to 250°F)

JF06-D20



S06 45° Chain Jet 2 mm

SmarTec Line: S06

Angle: 45°

External Diameter: 23 [mm] (0.9")

Effective Length: 39 [mm] (1.54")

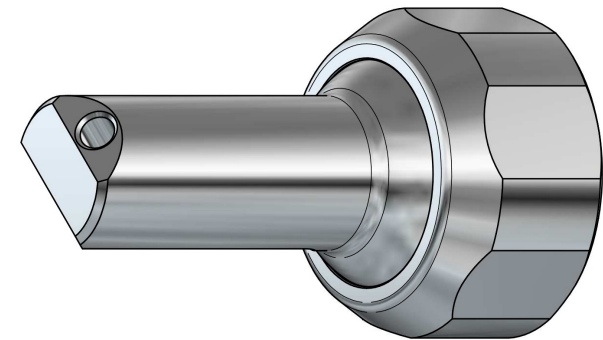
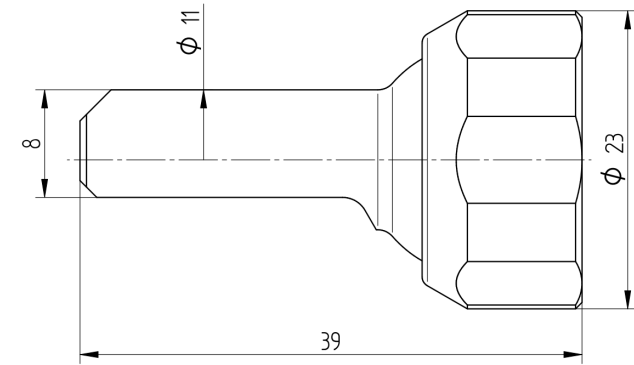
Internal Diameter: 2 [mm] (0.08")

Tooling: SW 22

Material: Austenitic Stainless Steel / NBR (Buna-N)

Temperature Range: -30°C to 120°C (-20°F to 250°F)

JF06-D25



S06 45° Chain Jet 2.5 mm

SmarTec Line: S06

Angle: 45°

External Diameter: 23 [mm] (0.9")

Effective Length: 39 [mm] (1.54")

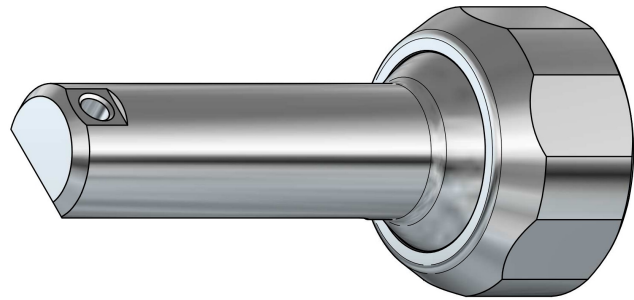
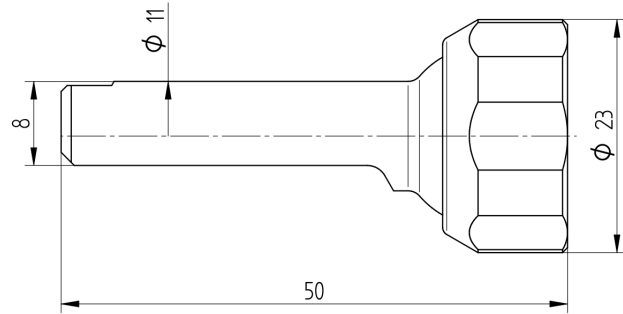
Internal Diameter: 2.5 [mm] (0.1")

Tooling: SW 22

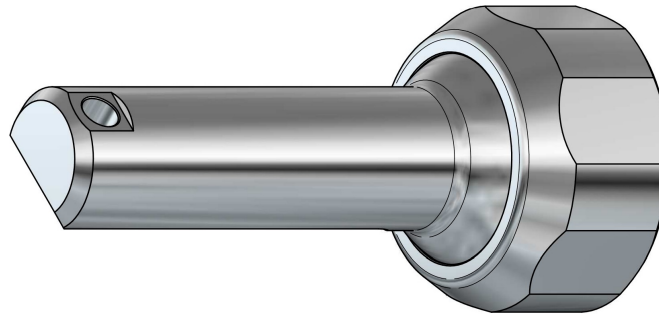
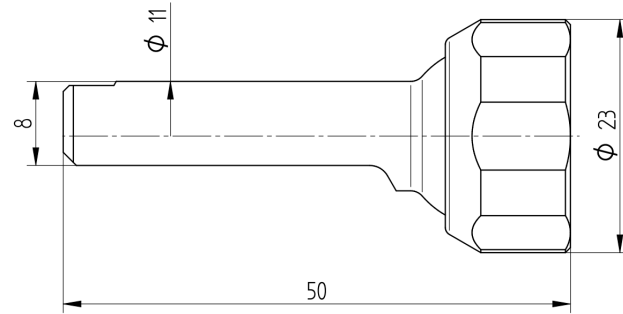
Material: Austenitic Stainless Steel / NBR (Buna-N)

Temperature Range: -30°C to 120°C (-20°F to 250°F)

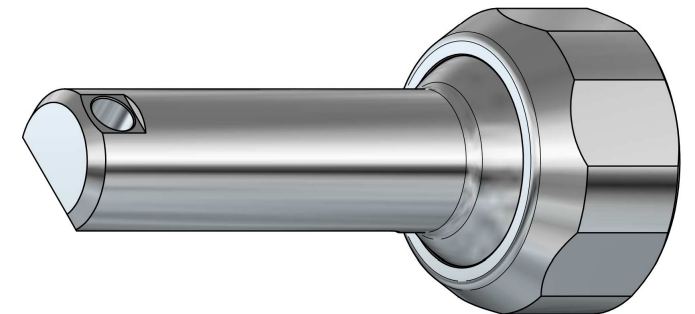
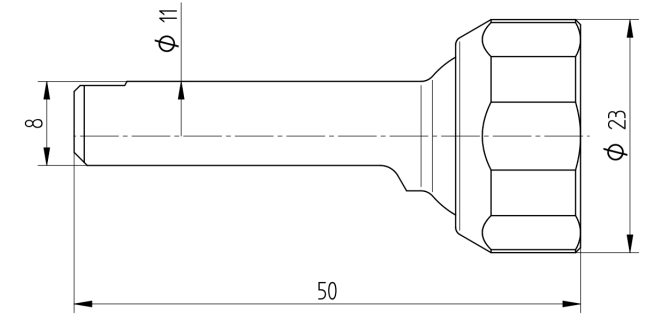
JP06-D25



JP06-D30



JP06-D35



S06 90° Chain Jet 2.5 mm

SmarTec Line: S06

Angle: 90°

External Diameter: 23 [mm] (0.9")

Effective Length: 50 [mm] (1.97")

Internal Diameter: 2.5 [mm] (0.1")

Tooling: SW 22

Material: Austenitic Stainless Steel / NBR (Buna-N)

Temperature Range: -30°C to 120°C (-20°F to 250°F)

S06 90° Chain Jet 3 mm

SmarTec Line: S06

Angle: 90°

External Diameter: 23 [mm] (0.9")

Effective Length: 50 [mm] (1.97")

Internal Diameter: 3 [mm] (0.12")

Tooling: SW 22

Material: Austenitic Stainless Steel / NBR (Buna-N)

Temperature Range: -30°C to 120°C (-20°F to 250°F)

S06 90° Chain Jet 3.5 mm

SmarTec Line: S06

Angle: 90°

External Diameter: 23 [mm] (0.9")

Effective Length: 50 [mm] (1.97")

Internal Diameter: 3.5 [mm] (0.14")

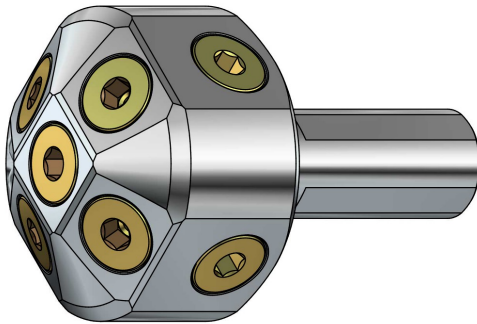
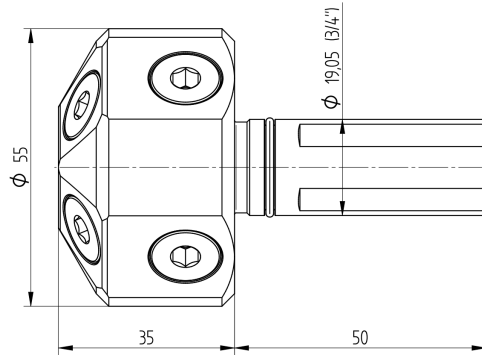
Tooling: SW 22

Material: Austenitic Stainless Steel / NBR (Buna-N)

Temperature Range: -30°C to 120°C (-20°F to 250°F)

JR06

JR06-IN



S06 Machine Cleaning Jet Imperial

SmarTec Line: S06

External Diameter: 55 [mm] (2.165")

Clamping Diameter: 19.05 [mm] (0.75")

Clamping Length: 50 [mm] (1.97")

Effective Length: 35 [mm] (1.38")

Internal Diameter: 6.5 [mm] (0.256")

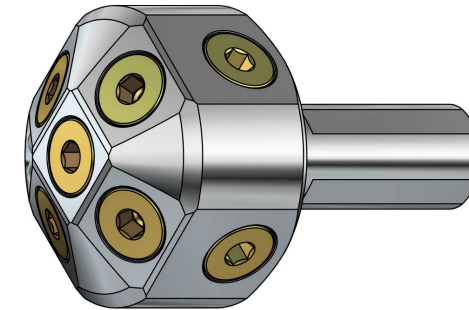
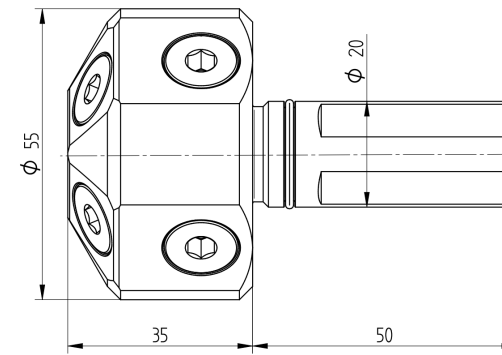
Flats: 18

Thread: G1/4

Material: Austenitic Stainless Steel / NBR / Brass

Temperature Range: -30°C to 120°C (-20°F to 250°F)

JR06-ME



S06 Machine Cleaning Jet Metric

SmarTec Line: S06

External Diameter: 55 [mm] (2.165")

Clamping Diameter: 20 [mm] (0.79")

Clamping Length: 50 [mm] (1.97")

Effective Length: 35 [mm] (1.38")

Internal Diameter: 6.5 [mm] (0.256")

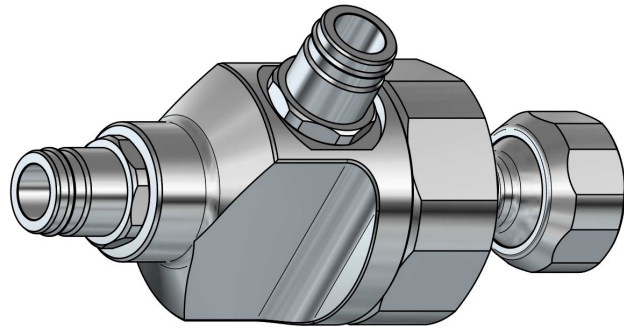
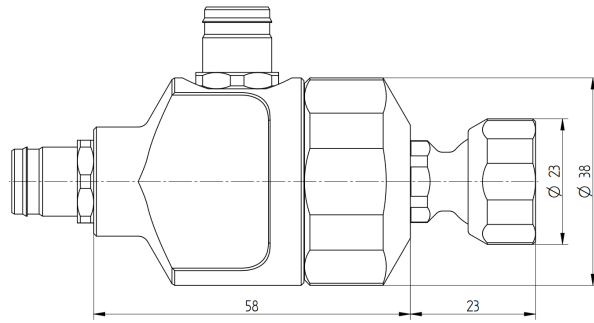
Flats: 18

Thread: G1/4

Material: Austenitic Stainless Steel / NBR / Brass

Temperature Range: -30°C to 120°C (-20°F to 250°F)

VL06



S06 Mechanical Valve

SmarTec Line: S06

External Diameter: 38 [mm] (1.5")

Effective Length: 81 [mm] (3.2")

Internal Diameter: 6.5 [mm] (0.256")

Tooling: SW 22

Material: Austenitic Stainless Steel / NBR (Buna-N)

Temperature Range: -30°C to 120°C (-20°F to 250°F)

KIT 06

KIT 06 – CONT'

KIT 06						KIT 06 – CONT'					
No.	Element	KIT03 S	KIT03 M	KIT03 L	Notes	No.	Element	KIT03 S	KIT03 M	KIT03 L	Notes
1	AJ06	1	1	2		26	JB06-V20		1	2	
2	AM06-G125	1	1	3		27	JB06-V25	1	1	2	
3	AM06-G250	1	1	3		28	JB06-V30		2	2	
4	AM06-G375	1	1	3		29	JB06-W20		1	2	
5	AS06-TS03		1	1		30	JB06-W25	1	1	2	
6	CH06-AS	10	20	40		31	JB06-W30		1	2	
7	CH06-AM	2	5	10		32	JH06-D25	1	1	2	
8	CH06-AL	2	5	5		33	JH06-D30		1	2	
9	CH06-FS	2	2	5		34	JH06-D35		1	2	
10	CH06-FM		2	5		35	JF06-D20		1	2	
11	CH06-FL	2	2	5		36	JF06-D25	1	1	2	
12	CH06-PS	2	2	5		37	JP06-D25	1	1	2	
13	CH06-PM		2	5		38	JP06-D30		1	2	
14	CH06-PL	2	2	5		39	JP06-D35		1	2	
15	CH06-TS	2	2	5		40	JM06-A04	1	1	2	
16	CH06-TM		2	5		41	JM06-A08		1	2	
17	CH06-TL	2	2	5		42	JM06-P03	1	1	2	
18	CH06-YS	2	2	5		43	JM06-P06			1	
19	CH06-YM	2	2	5		44	JM06-P09		1	1	
20	CH06-YL	2	2	5		45	JR06-IN			1	
21	CH06-EF		2	5		46	JR06-ME	1	1	1	
22	CH06-ER		2	5		47	VL06		1	1	
23	JD06	1	2	2							
24	JS06	1	2	2							
25	JB06-SML			1	9 units		Total Units	46	88	189	